

S80 (-06) / V70 XC (01-) / XC70 (-07) / S60 /  
V70 (00-08) / XC90

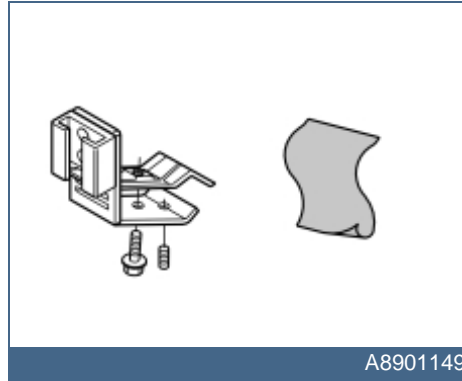
Section	Group	Weight (Kg/Pounds)	Year	Month
3	35		2000	06

S60 2001, S60 2002, S60 2003, S60 2004, S60 2005, S60 2006, S60 2007, S60 2008, S80 (-06) 1999, S80 (-06) 2000, S80 (-06) 2001, S80 (-06) 2002, S80 (-06) 2003, S80 (-06) 2004, S80 (-06) 2005, S80 (-06) 2006, V70 (00-08) 2000, V70 (00-08) 2001, V70 (00-08) 2002, V70 (00-08) 2003, V70 (00-08) 2004, V70 (00-08) 2005, V70 (00-08) 2006, V70 (00-08) 2007, V70 (00-08) 2008, V70 XC (01-) / XC70 (-07) 2001, V70 XC (01-) / XC70 (-07) 2002, V70 XC (01-) / XC70 (-07) 2003, V70 XC (01-) / XC70 (-07) 2004, V70 XC (01-) / XC70 (-07) 2005, V70 XC (01-) / XC70 (-07) 2006, V70 XC (01-) / XC70 (-07) 2007, XC90 2003, XC90 2004, XC90 2005, XC90 2006, XC90 2007, XC90 2008

Required tools



A0000162



A8901149

Any comments on this publication? Please contact your nearest dealer. Thank you!

Publication no: MA 8641237, Issue: 2000-06
Comments:..... ..... ..... ..... ..... ..... .....
From:.....
Address:.....
Telephone no:.....
Telefax:.....

## INTRODUCTION

- **NOTE! Read through the entire text before carrying out any work.**
- The front page gives the date of this edition and the edition it replaces
- The second page shows the tools needed for the installation and the contents of the installation kit
- The illustrations display the procedure in order of operation. The order of operation is repeated in the text section
- Cut out the text page in order to follow the illustrations and text at the same time.

## Mounting kit for the front reading lamp, front seat

### Note!

The reading lamp is not included in the kit. The reading lamp must be purchased separately.

1



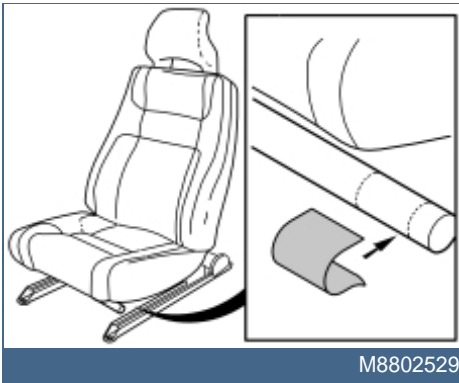
A8501708

### Preparations

#### Applies to 700/900/S90/V90

- Unhook the upholstery on the passenger seat at the front edge near the centre console. Fold the upholstery to one side.

2



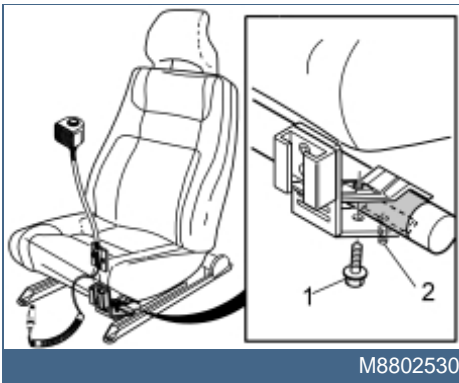
M8802529

### Preparations

#### Applies to all models

- Wipe the seat frame clean on the marked surface at the centre console as illustrated
- Remove the backing from the piece of tape. Apply the tape around the seat frame so that the tape joins at the reverse of the seat frame.

3

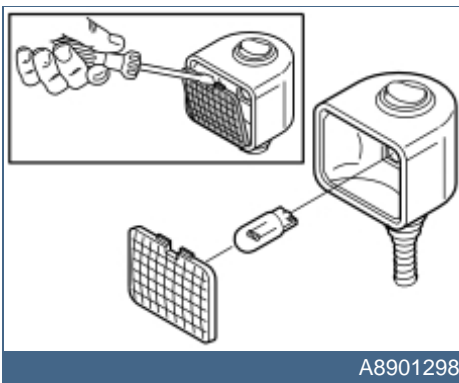


M8802530

### Installing the lamp mounting

- Install the lamp mounting on the piece of tape around the seat frame as close to the centre console as possible. Tighten the mounting using the screw (1)
- Adjust the lamp mounting to the desired position. Tighten using the screw (2)
- Install the reading lamp in the mounting. Connect the cable to the cigarette lighter socket.

4



A8901298

### Installing the lamp mounting

#### Disassembling the reading lamp when replacing the bulb

- Remove the lamp glass. First carefully pry off the top edge of the lamp using a small screwdriver.