



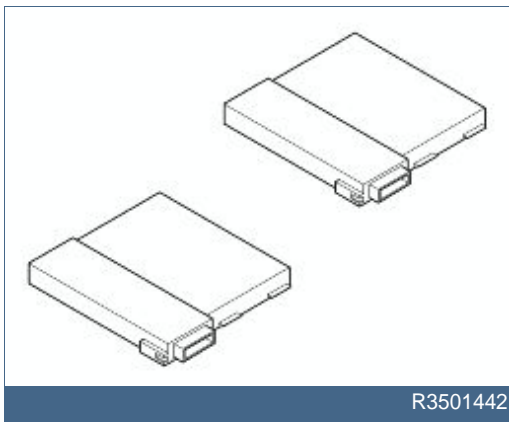
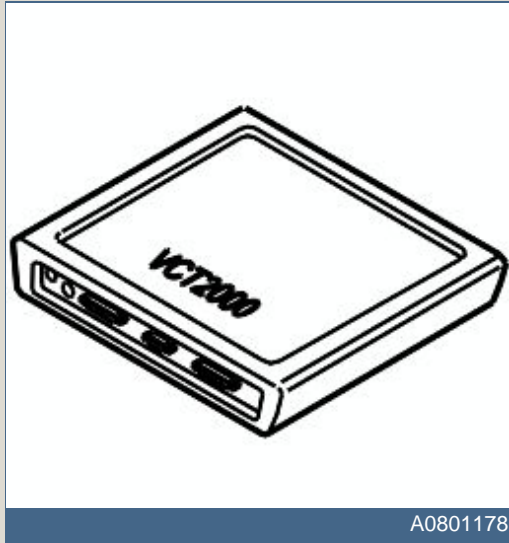
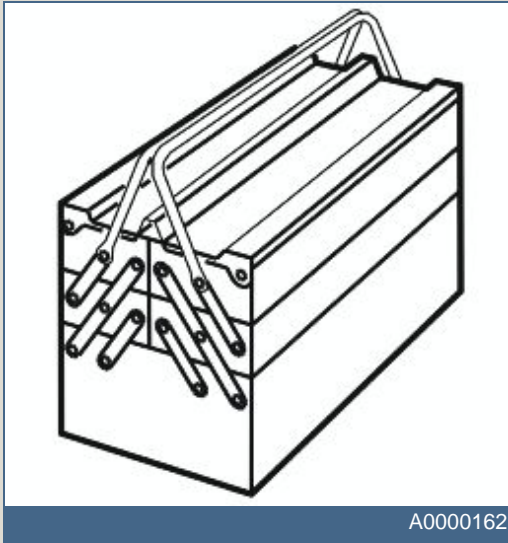
XC90

Section	Group	Weight(Kg/Pounds)	Year	Month
3	36		2001	11

XC90 2003, XC90 2004, XC90 2005, XC90 2006, XC90 2007, XC90 2008, XC90 2009, XC90 2010



Required tools



Any comments on this publication? Please contact your nearest dealer. Thank you!

Publication no: MA 9162370, Issue: 2001-11
Comments:.....
From:.....
Address:.....
Telephone no:.....
Telefax:.....





INTRODUCTION

- **NOTE! Read through the whole installation instruction before starting the work.**
- The front page gives the date of this edition and the edition it replaces
- The second page shows the tools needed for the installation and the contents of the installation kit
- The illustrations display the procedure in order of operation. The order of operation is repeated in the text section
- Cut out the text page in order to follow the illustrations and text at the same time.

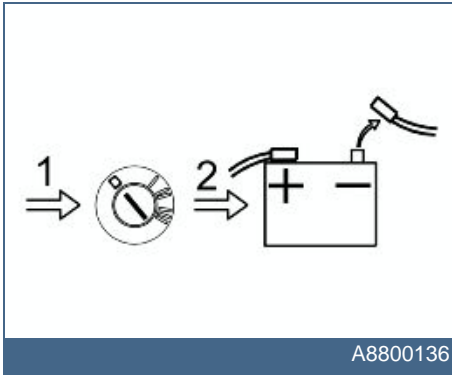
Movement sensor, Alarm

Note!

This accessory requires software unique to the car.



1

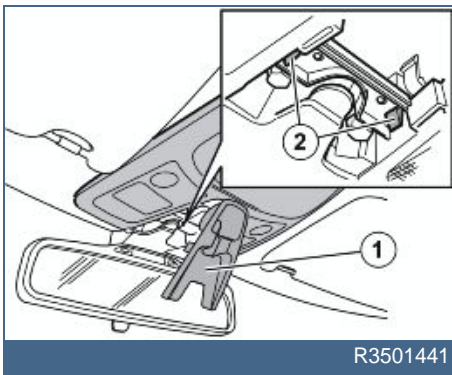


- Turn the ignition key to position 0
- Disconnect the battery negative lead.

Note!

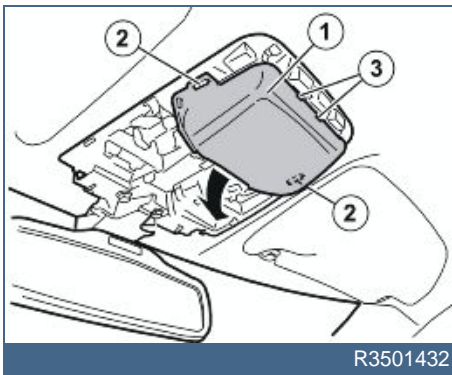
Wait at least five minutes before disassembling the connectors or removing other electrical equipment.

2



- Fold down the cover (1) by carefully pulling down the front edge of the cover
- Separate the catches (2). Pull down the front edge of the panel and then detach the rear edge.

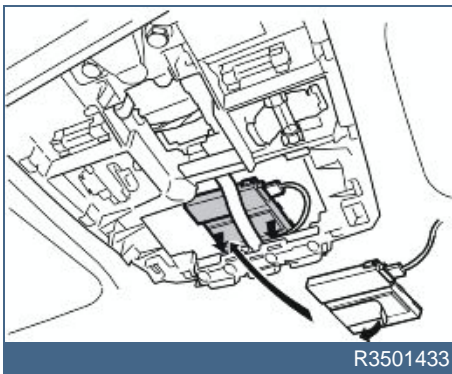
3



Applies to cars without a sun roof

- Remove the cover (1). First press out the catches (2) at the sides, fold down the front edge of the cover and then release the catches (3) at the rear edge.

4



Applies to cars without a sun roof

- Take the sensor with the blue connector from the kit
- Find the existing cable for the movement sensor. The cable is taped to the headlining at the rear edge of the front roof lighting
- Connect the connector for the movement sensor
- Remove the backing from the tape on the movement sensor
- Press the movement sensor into place on top of the headlining slightly in from the edge.

Note!

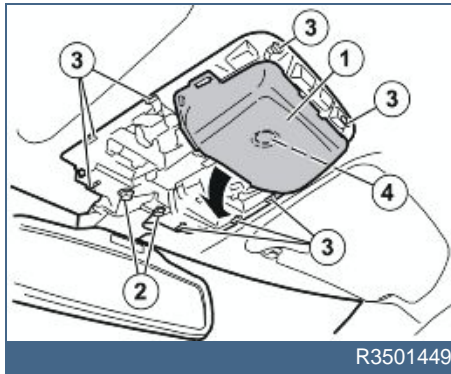
The sensor must be installed straight. The sensor must not be turned more than



5 degrees.

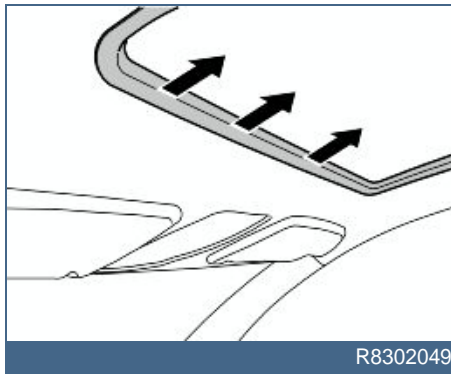
- Reinstall the interior lighting panel.

5



- Remove the rear view mirror and the front interior lighting (1). First remove the two screws (2) and then press in the eight catches (3) around the interior lighting
- Carefully pull the components downwards and allow them to hang by their wiring. (The interior lighting is secured to the roof using the clip (4).)

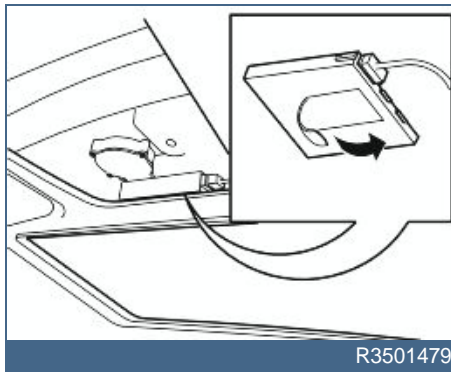
6



Applies to cars with sunroofs

- Pull off the sun roof surround at the front edge to lower the headlining slightly. The surround is securely positioned.

7



Applies to cars with sunroofs

- Press down the headlining at the front edge of the sun roof. Position a shim between the headlining and the roof so that there is room to install the sensor
- Take the sensor with the blue connector from the kit
- Find the existing cable for the movement sensor. It is taped to the headlining at the front edge of the sun roof
- Connect the connector to the sensor. Remove the masking tape
- Press the movement sensor into place on top of the headlining, edge to edge with the rear edge for the cut-out for the interior lighting.

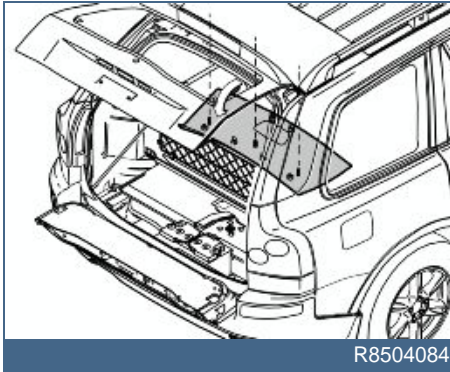
Note!

The sensor must be installed straight. The sensor must not be turned more than 5 degrees.

- Reinstall the interior lighting. Tighten the rear view mirror. Tighten to **10 Nm (7.5 lbf. ft.)**
- Reinstall the interior lighting panel.



8

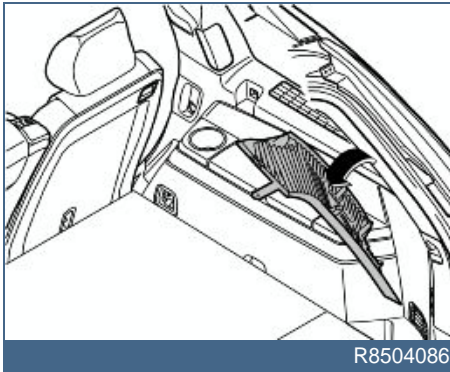


- Remove the cover and the screws underneath for the rear headlining
- Carefully pry off the panel at the rear edge using a plastic weatherstrip tool
- Pull the rear edge of the panel downwards until all clips in the inside have released.

Applies to cars with three rows of seats

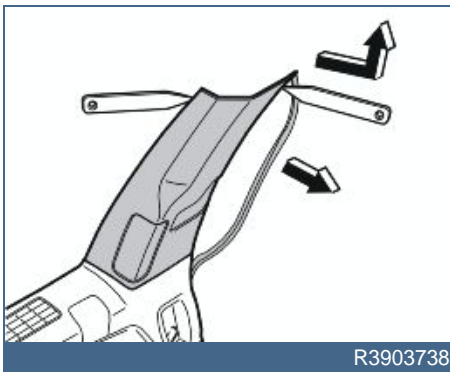
- Disconnect the connector for the rear roof lighting. Pull the panel backwards.

9



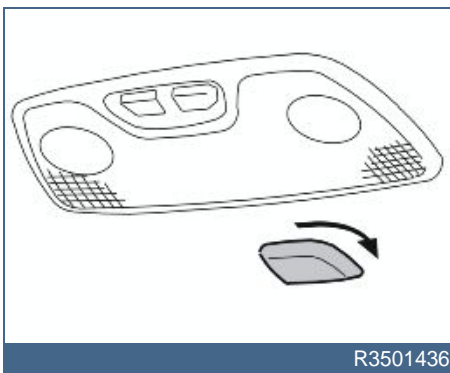
- Carefully pull off the D-post panel on the right and left-hand side starting at the top edge. Then pull downwards until the three clips release
- Remove the panels by pulling them upwards slightly and unhooking them from the side panels. Disconnect the connectors for the D-post loudspeakers on cars equipped with them.

10



- Pull off the rubber seals at the rear edges of the door openings for the left and right rear doors opposite the C-post panels
- Carefully pry off the C-post panels at the top edge of the sides using a plastic weatherstrip tool. Pull outwards until the three clips on the inside have released. Do not damage the headlining and panel
- Remove the panels by pulling them upwards slightly and unhooking them from the side panels. Disconnect the connectors for telephone receiver sockets on cars equipped with them.

11



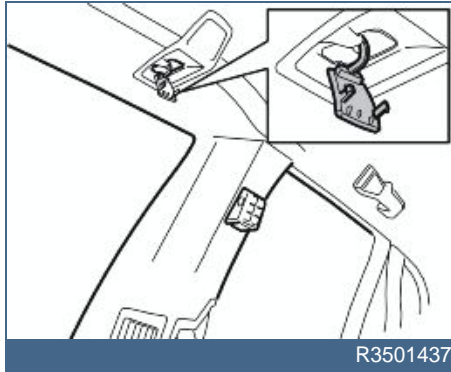
- Remove the clip holding the headlining to the roof by turning the clip 90°. The clip is positioned straight above the centre seat in the second row of seats.

Note!

Not all cars are equipped with the interior lighting illustrated.

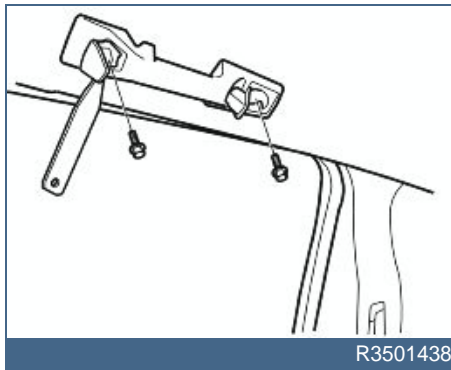


12



- Carefully pry off the cover. Remove the two screws in the mountings above the rear side windows in the cargo compartment.

13



- Detach the grab handles for the rear seats above the doors on the right and left-hand sides by first prying up the cover and then removing the screws
- Remove the rubber seals at the top edges of the right and left-hand doors so that the headlining lowers further. Ensure that it does not break.

14



Note!

- Do not damage the headlining when installing the sensor.

Take the sensor with the green connector from the kit

- Disconnect the existing taped connector from the headlining
- Connect the connector to the sensor
- Remove the backing from the tape on the sensor
- Position the sensor in the recess in the headlining.

Note!

The sensor must be installed in the recess in order to function correctly. Ensure that the sensor is positioned straight, it must not be turned more than a maximum of 5 degrees.

- Counterhold the underneath of the headlining. Press the sensor between the spacers.

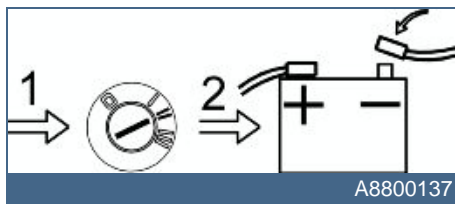
15

- Reinstall the clip in the headlining behind the centre interior lighting
- Reinstall the three screws in the mountings above the rear side windows. Tighten the screws. Tighten to **50 Nm (37 lbf.ft.)**



- Reinstall both covers over the screws
 - Tighten both grab handles. Tighten to **10 Nm (7.5 lbf.ft.)**. Press the covers into place
 - Reinstall the C and D-post panels. Connect any connectors
 - Connect the connector to the rear interior lighting.
- Applies to cars with three rows of seats**
- Reinstall the rear headlining.

16



- Turn the ignition key to position II
- Connect the battery ground lead
- Program the function using VCT 2000 in VIDA.