

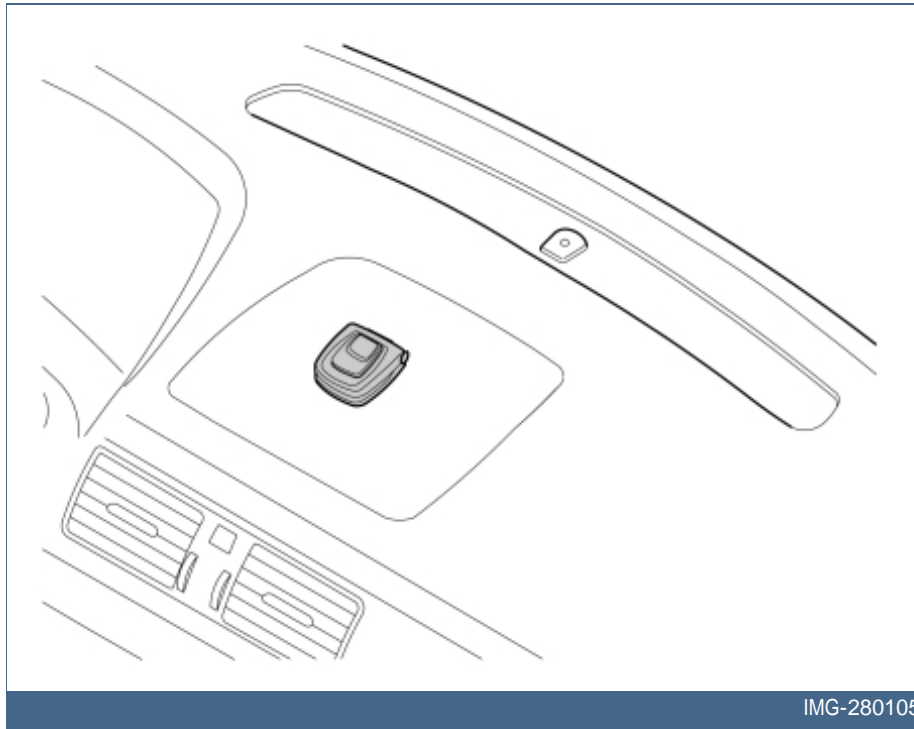


XC90

Section	Group	Weight(Kg/Pounds)	Year	Month
3	39	1 (2.2)	2007	12

XC90 2003, XC90 2003, XC90 2003, XC90 2003, XC90 2003, XC90 2004, XC90 2004, XC90 2004, XC90 2004, XC90 2004, XC90 2005, XC90 2005, XC90 2005, XC90 2005, XC90 2005, XC90 2005, XC90 2006, XC90 2006, XC90 2006, XC90 2006, XC90 2006, XC90 2007, XC90 2007, XC90 2007, XC90 2007, XC90 2007, XC90 2008, XC90 2008, XC90 2008, XC90 2008, XC90 2008, XC90 2008, XC90 2009, XC90 2010

Replaces
issue:
2007 11



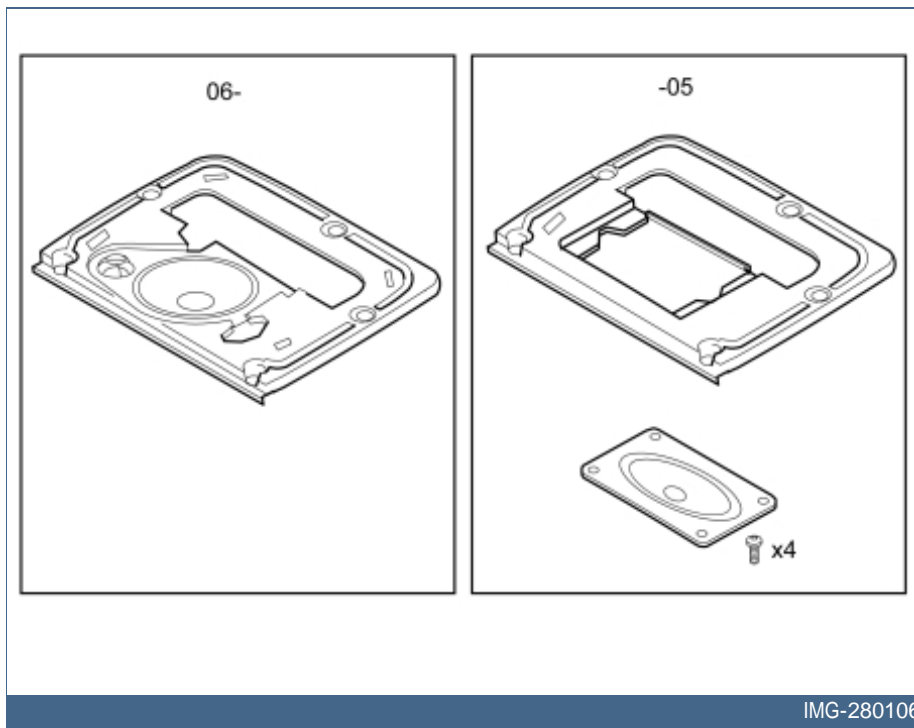
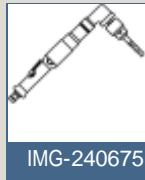
IMG-280105

Installation instructions, accessories - Navigation system portable

Volvo Car Corporation Göteborg, Sweden



Required tools





Any comments on this publication? Please contact your nearest retailer. Thank You!

Publ.no:	Issue:	Kit no:
Comments:.....		
.....		
.....		
.....		

From:	
Address:	
Telephone:	
Telefax:	

IMG-213320



INTRODUCTION

- **NOTE! Read through the entire text before carrying out any work.**
- The front page gives the date of this edition and the edition it replaces
- The second page shows the tools needed for the installation and the contents of the installation kit
- The illustrations display the procedure in order of operation. The order of operation is repeated in the text section
- Cut out the text page in order to follow the illustrations and text at the same time.

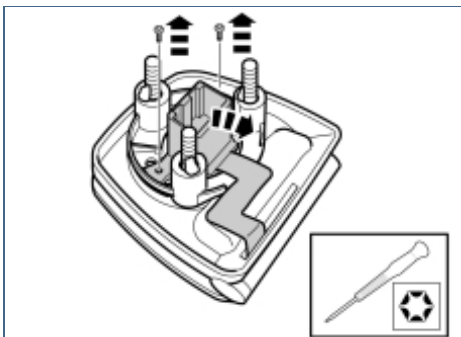
Navigation system portable

Note!

Some steps in these installation instructions are presented with illustration only.



1



IMG-282404

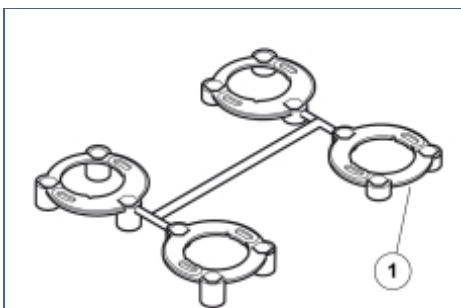
Assembling the holder

Note!

Take care when handling the components, they are fragile and are easily damaged.

- Take special tool **9814104** (torx driver, torx 6), and unscrew the two screws holding the connector in the holder.
- Carefully push the connector to one side with the cable to expose the bottom of the holder.

2



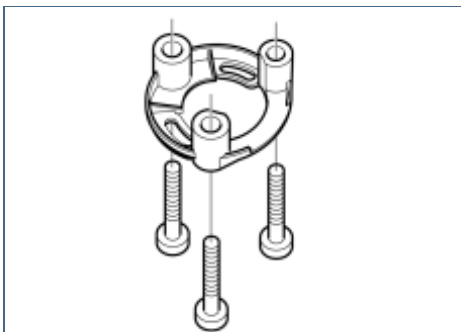
IMG-282405

Assembling the holder

- Take the kit with the four spacers from the installation kit.

Carefully pry off the spacer using **P/N 31212525**. The part number (1) is on the bottom of the spacer.

3

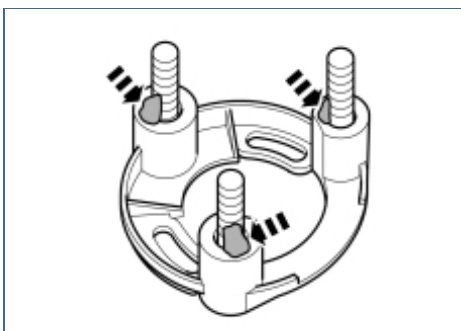


IMG-282407

Assembling the holder

- Take the three screws and insert them in the spacer fully.

4



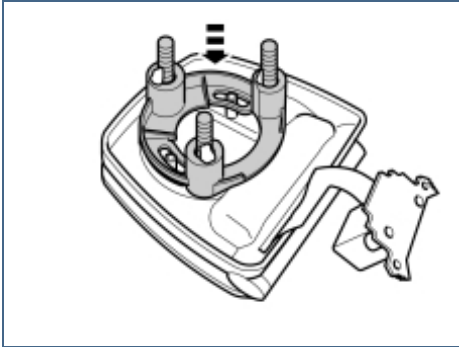
IMG-282408

Assembling the holder

- Apply pieces of butyl tape to the screws so that the screw heads do not protrude outside the spacer when installing it.



5A



IMG-282406

Assembling the holder

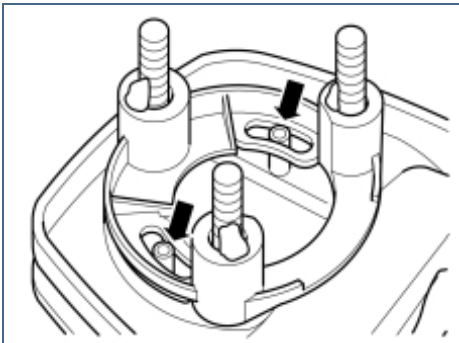
Illustration A

- Install the spacer in the bottom of the holder.

Illustration B

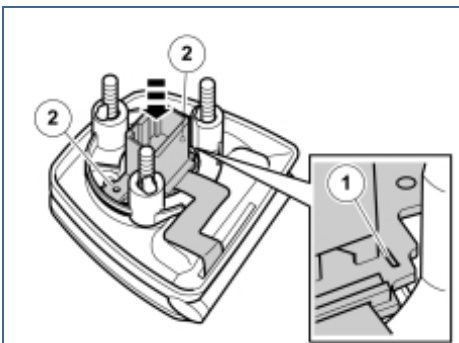
- Ensure that the holder's two screw turrets align between the small pins in the oblong holes in the spacer. A click should be heard when the spacer is securely in position.

5B



IMG-282409

6

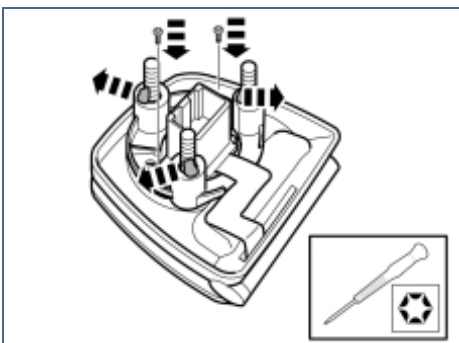


IMG-282410

Assembling the holder

- Place the connector in the bottom of the hole. The guide hole (1) in the connector's circuit board must align in the corresponding pin at the bottom of the holder and the holes (2) in the circuit board must be over the holder's screw turret.

7



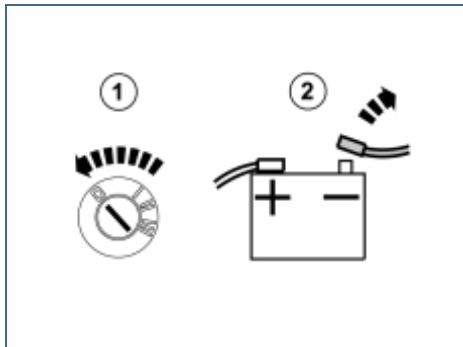
IMG-282411

Assembling the holder

- Take the small torx screws and carefully tighten the connector to the holder. Ensure that the connector's circuit board is properly against the screw turret and that there is no play.
- Remove the butyl tape from the screws.



8



IMG-246024

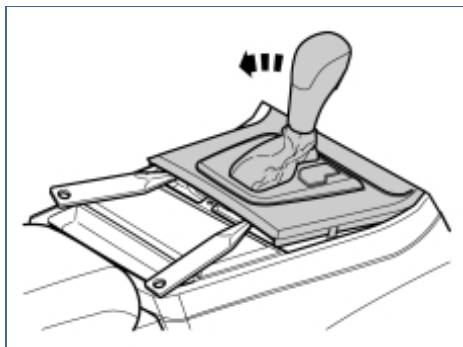
Preparations

- Turn the ignition key to position 0.
- Disconnect the battery negative lead.

Note!

Wait at least three minutes before unplugging the connectors or removing other electrical equipment.

9



IMG-280165

Preparations

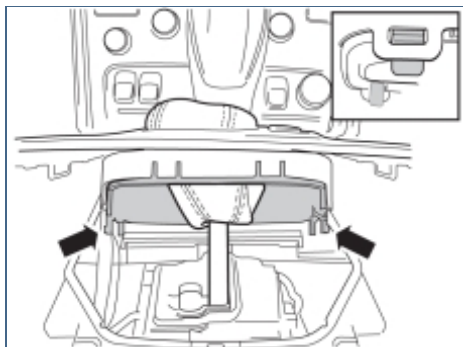
Applies to cars with automatic gearbox

- Turn the ignition key to position II.

Applies to all models

- Move the gear selector lever to its rearmost position.
- Use a weatherstrip and pry off the gear selector panel at the rear edge.

10

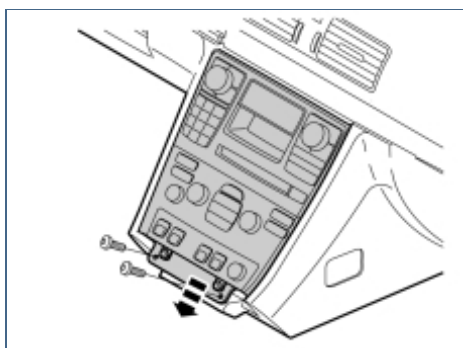


IMG-239204

Preparations

- Press in the catches and remove the panel.

11A



IMG-280166

Preparations

Illustration A

- Remove the two screws.
- Remove the bracket with the A/C panel and radio from the center console. Pull from the lower edge and then downwards until it releases from the mounting at the upper edge.

Note!



11B



IMG-280133

Do not damage the removed components or the surrounding panels.

Illustration B

- Lay out a cloth to protect the tunnel console and unit. Place as illustrated. Depending on the design the cable may need to be disconnected and the unit placed to one side.

12

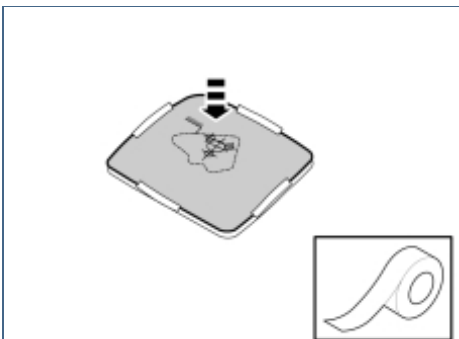


IMG-280107

Preparations

- Use the template from the kit and cut along the outer lines.

13

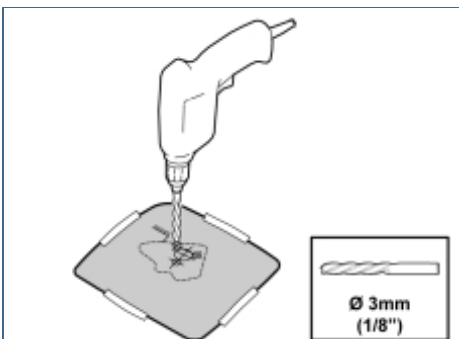


IMG-280108

Preparations

- Tape the template to the loudspeaker grille.

14



IMG-280109

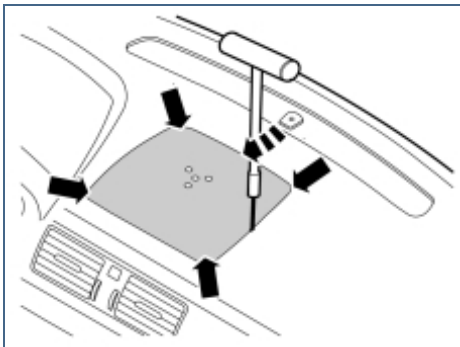
Preparations

Drilling is the same on right and left-hand drive cars. Drill square to the loud speaker grille.

- Carefully pre-drill the holes according to the template using a **Ø3 mm (1/8")** bit. Use a **10 mm (25/64")** drill stop.
- Remove the template.



15A



IMG-280110

Preparations

Illustration A

- Remove the loudspeaker grille as follows: Insert the special tool, **9995919** into the joint between the loudspeaker grille and the dashboard approximately as illustrated, until it engages.
- Twist the tool 90° so that the bent section engages with the underneath of the loudspeaker grille.

Illustration B

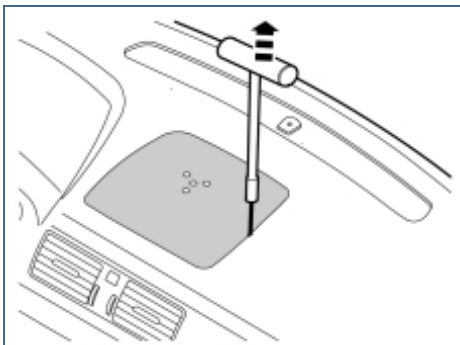
- Pull upwards until the loudspeaker grille detaches. The loudspeaker grille is securely fastened by four clips. Move the tool closer to the clip to facilitate removal.

Note!

Do not damage the dashboard.

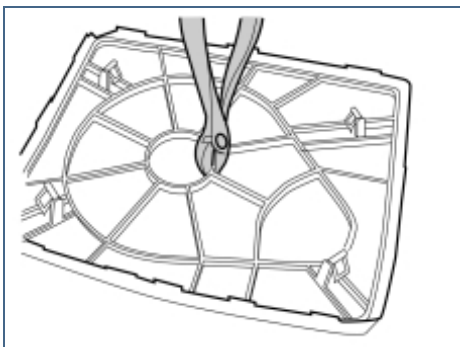
- Lift out the loudspeaker grille

15B



IMG-280111

16A



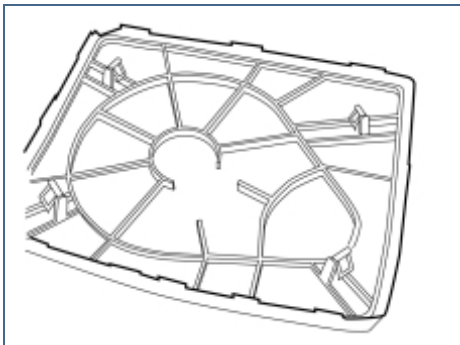
IMG-280112

Preparations

Illustrations A and B

- Turn over the loudspeaker grille and cut away some of the ribs on the underside so that the result corresponds with figure B.

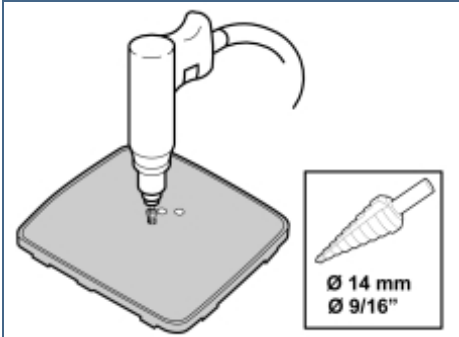
16B



IMG-280113



17

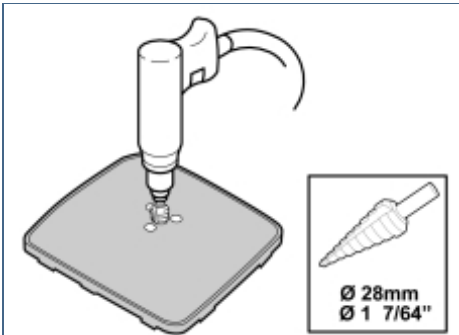


IMG-280114

Preparations

- Drill up the three holes for the cradle's feet using a **Ø14 mm (9/16")** step drill.

18

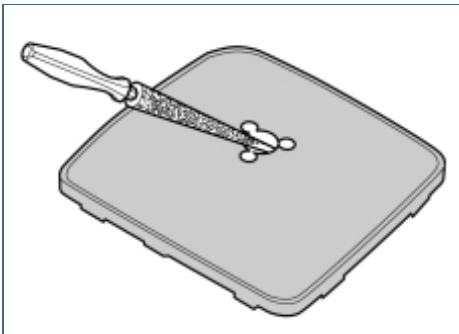


IMG-280115

Preparations

- Take the step drill and drill out the hole for the connection in the holder using a **Ø28 mm (1 7/64")** drill bit.

19

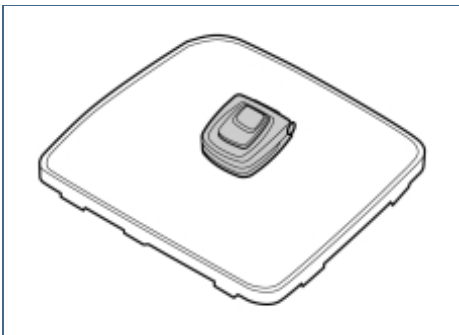


IMG-280116

Preparations

- Deburr and bend in the edges using a round file.

20A



IMG-280117

Installation

Illustration A

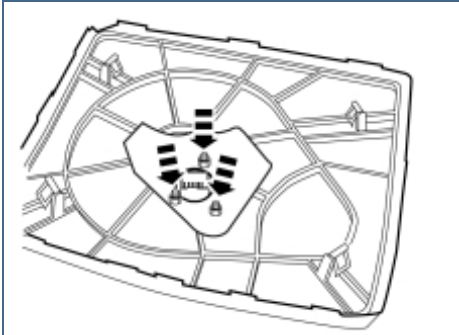
- Take three nuts, washers and the cradle from the kit and secure on the loudspeaker grille.

Illustration B

- Tighten the cradle.

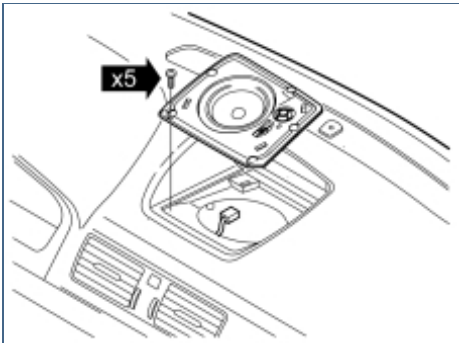


20B



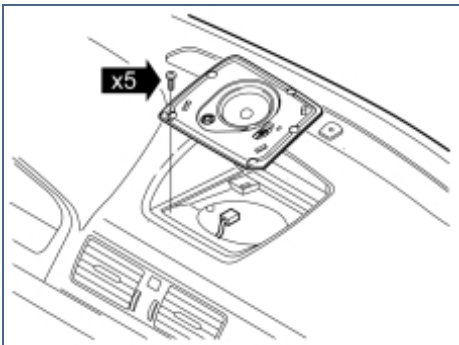
IMG-280118

21A



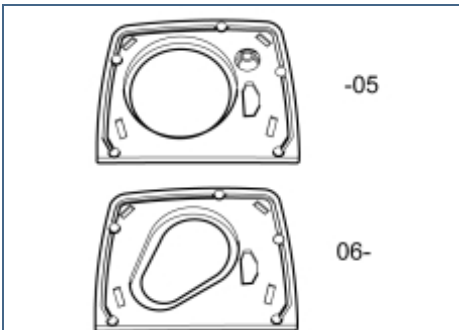
IMG-280119

21B



IMG-280120

21C



IMG-280121

Installation

Illustration A applies to cars up to and including model year -05

Illustration B applies to cars from and including model year 06-

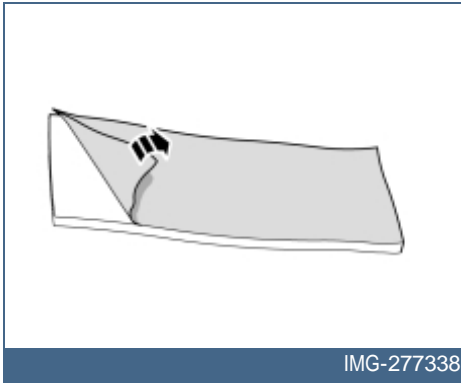
- Remove the five screws. Lift up the loudspeaker and remove the connector.
- Put the loudspeaker to one side. New loudspeaker and console in the kit.

Illustration C

- On vehicles without a center loudspeaker there is a console holding the loudspeaker grille. On these vehicles the console remains in place and the cable is routed through the hole.



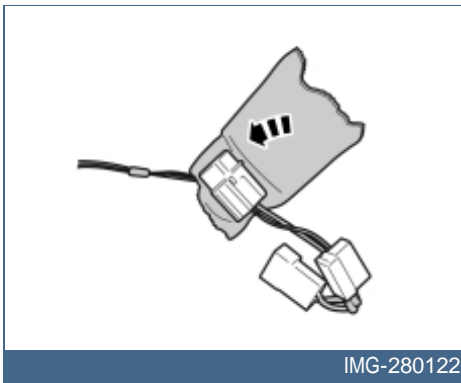
22



Installation

- Take the cable harness and foam tape out of the kit. Remove the protective tape.

23



Installation

- Wrap the foam tape around the fuse holder to prevent rattling.

24



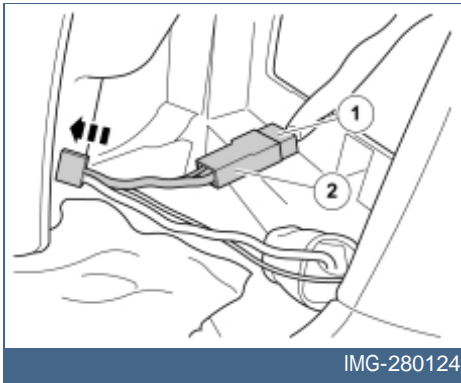
Installation

Note!

The cable harness is always routed on the right-hand side in the tunnel console and the center console up to the hole for the loudspeaker grille, on both right and left-hand drive cars.

- Take hold of the long cable harness. Route the end with the small connector on the right-hand side in the center console, up and out through the hole for the loudspeaker grille/console loudspeaker grille.

25

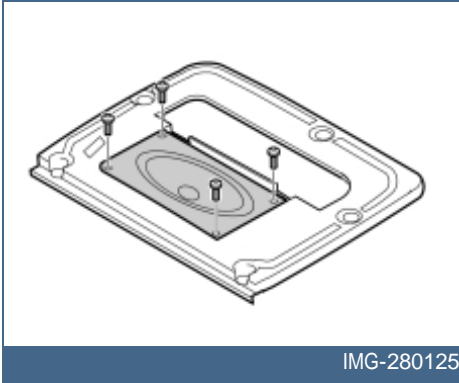


Installation

- Take out the unit with the climate panel and connect connector (1) removed from the 12V outlet on the female connector (2) on the routed cable.
- Connect the remaining connector to the 12V outlet.



26

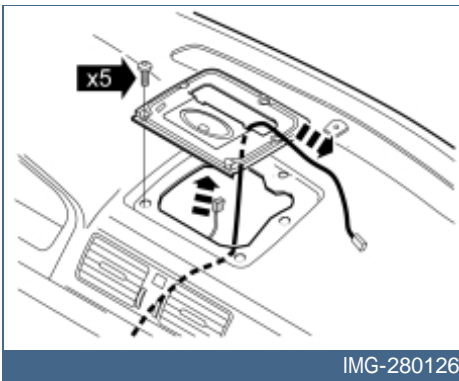


Installation

Applies to cars up to and including model year 05

- Remove the loudspeaker grille and loudspeaker from the kit. Secure the loudspeaker using the supplied screws. The connections on the speakers should face right.

27A



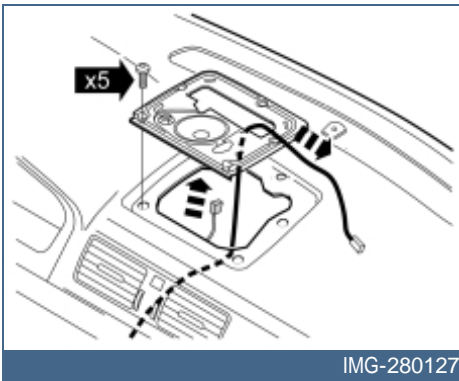
Installation

Illustration A applies to cars up to and including model year -05

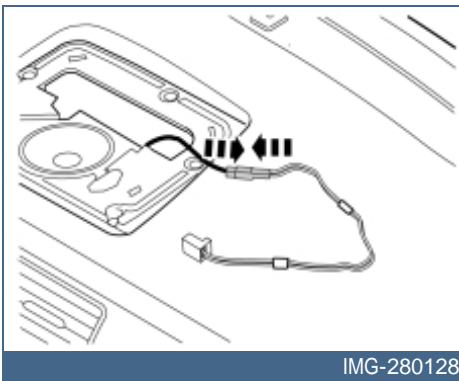
Illustration B applies to cars from and including model year 06-

- Connect the connector to the loudspeaker. Route the cable to the cradle through the large hole in the speaker console.
- Tighten the console using the five existing screws.

27B



28

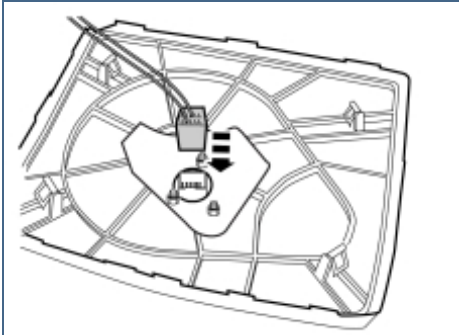


Installation

- Take out the small cable from the kit and connect it to the recently routed cable harness.



29

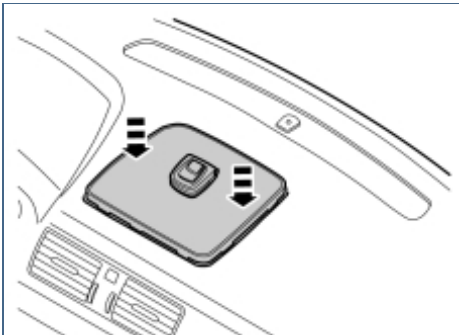


IMG-280129

Installation

- Take the loudspeaker and cradle. Connect the connector on the small cable to the cradle.

30

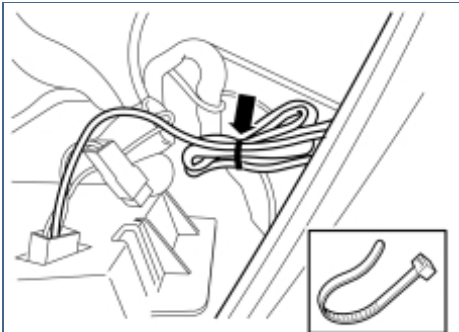


IMG-280130

Installation

- Insert the cable in the hole for the loudspeaker/console and push on the loudspeaker grille.

31

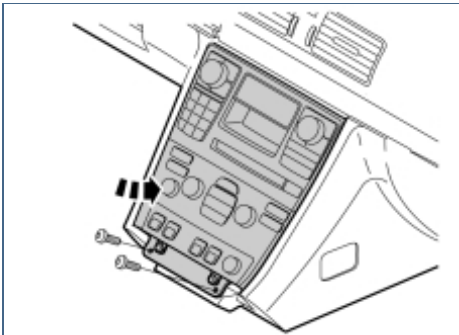


IMG-280131

Installation

- Tuck away the surplus cable in the bottom of the center console.
- Tie together with a cable tie.

32



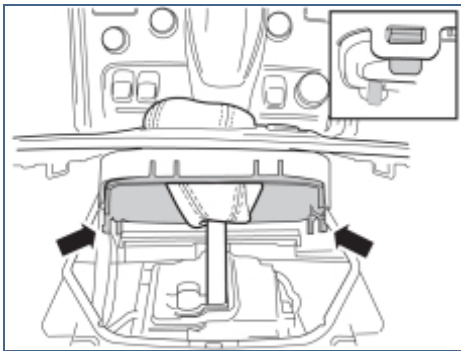
IMG-280167

Installation

- Refit the unit. Ensure the cables and relay are positioned so that they are not crushed or rub.
- Tighten using the existing screws.



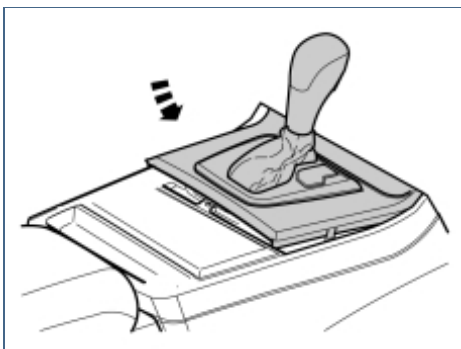
33



IMG-239204

Installation

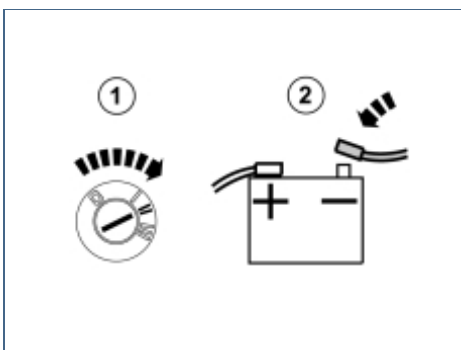
34



IMG-279903

Installation

35



IMG-242267

Installation

- Turn the ignition key to position II.
- Reconnect the battery negative lead.