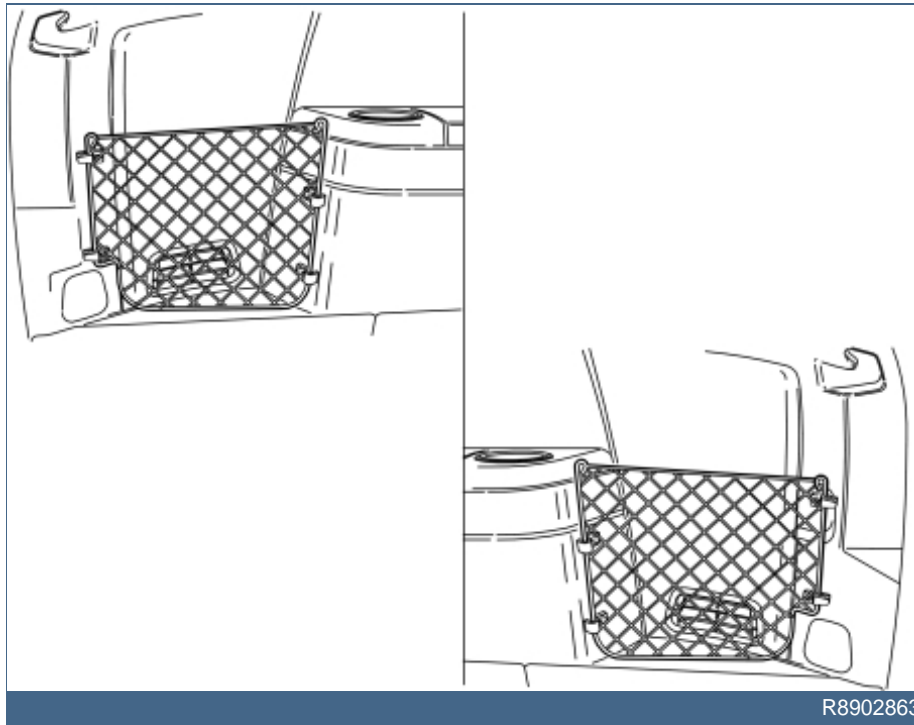


XC90

Section	Group	Weight(Kg/Pounds)	Year	Month
8	88		2002	02

XC90 2003, XC90 2004, XC90 2005, XC90 2006, XC90 2007, XC90 2008



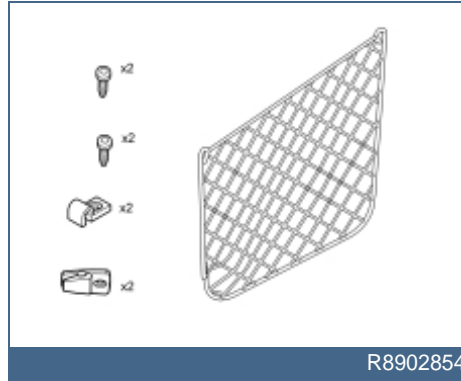
Required tools



A0000162



A0000163



Any comments on this publication? Please contact your nearest dealer. Thank you!

Publication no: MA 8682023, Issue: 2002-02
Comments:.....
From:.....
Address:.....
Telephone no:.....
Telefax:.....

INTRODUCTION

Net pocket, cargo compartment (7 seat)

- **NOTE! Read through the entire text before carrying out any work.**
- The front page gives the date of this edition and the edition it replaces
- The second page shows the tools needed for the installation and the contents of the installation kit
- The illustrations display the procedure in order of operation. The order of operation is repeated in the text section
- Cut out the text page in order to follow the illustrations and text at the same time.

1A

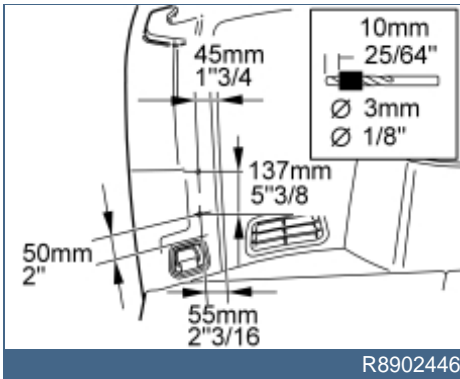
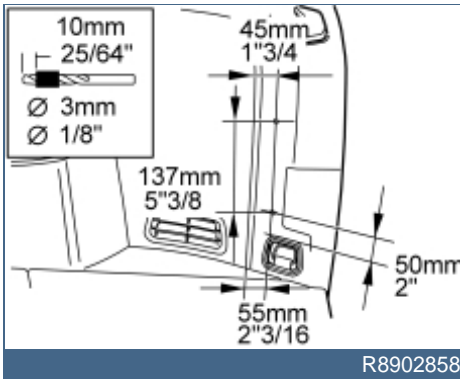


Illustration A is for making holes on the left-hand side
Illustration B is for making holes on the right-hand side

- Mark the rear edge of the left-hand side panel for holes for the net pocket. See the illustration
- Drill out the holes. Use a **3 mm (1/8")** diameter drill bit. Use a **10 mm (25/64") drill stop**
- Remove the swarf. Smooth out the hole edges if necessary.

1B

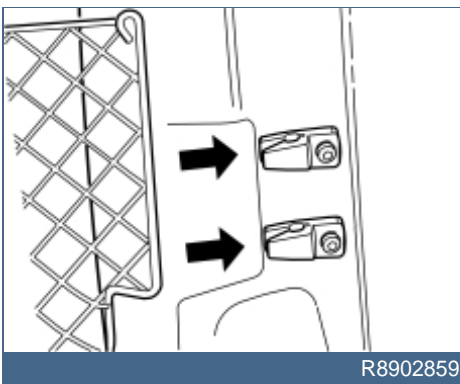


2



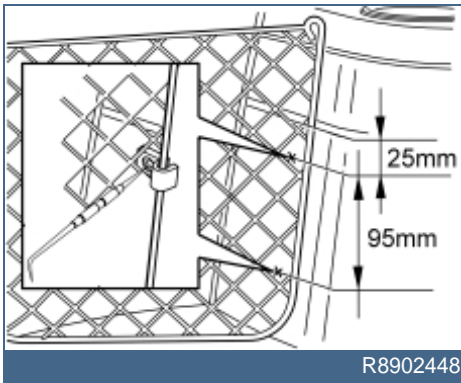
- Take two clips and two screws from the kit. Tighten the clips horizontally in the newly drilled holes as illustrated.

3



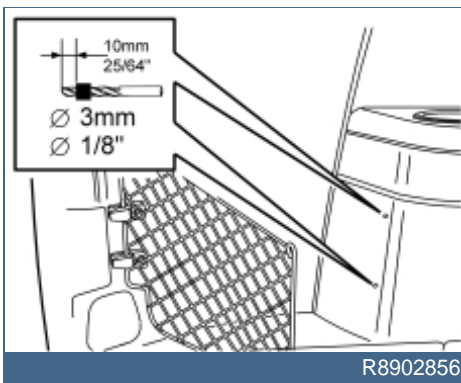
- Press the shorter face of the net pocket into place in the clips so that a snap is heard.

4



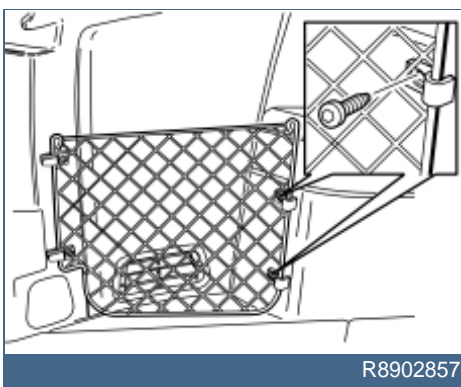
- Take two clips from the kit
- Insert the front face of the net pocket against the side panel. Ensure that the lower face is parallel with the joint between the side floor hatch and the centre rear floor hatch
- Position the two clips as illustrated. Mark for drilling through the holes in the clips and in the panel using a ball tipped punch or press through using a scribe.

5



- Push the net pocket to one side
- Drill out the holes. Use a **3 mm (1/8")** diameter drill bit. Use a **10 mm (25/64")** drill stop
- Remove the swarf. Smooth out the hole edges if necessary.

6



- Take two screws from the kit
- Slide back the front face of the net pocket. Tighten to the panel using the two clips and the screws.