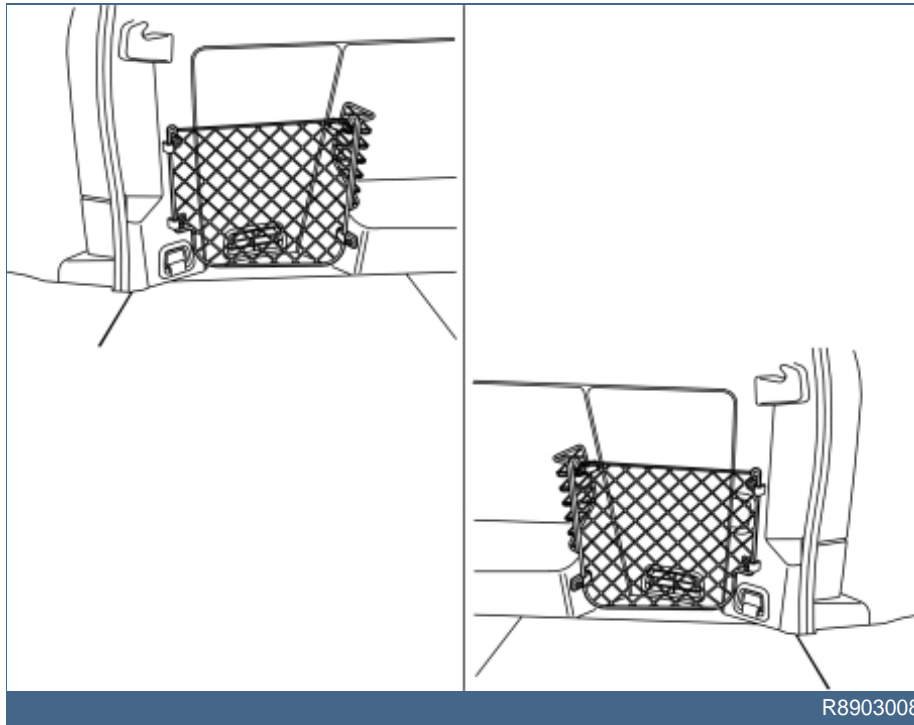




XC90

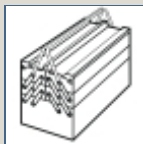
Section	Group	Weight(Kg/Pounds)	Year	Month
8	88		2002	03

XC90 2003, XC90 2004, XC90 2005, XC90 2006, XC90 2007, XC90 2008





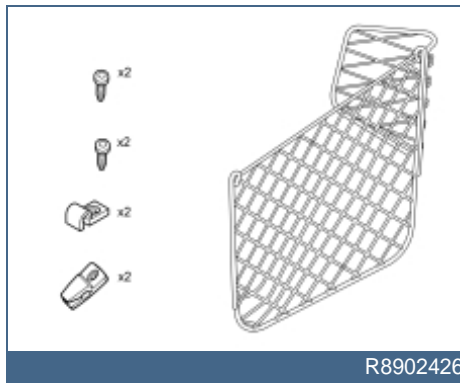
Required tools



A0000162



A0000163



Any comments on this publication? Please contact your nearest dealer. Thank you!

Publication no: MA 8624470, Issue: 2002-03
Comments:.....
From:.....
Address:.....
Telephone no:.....
Telefax:.....



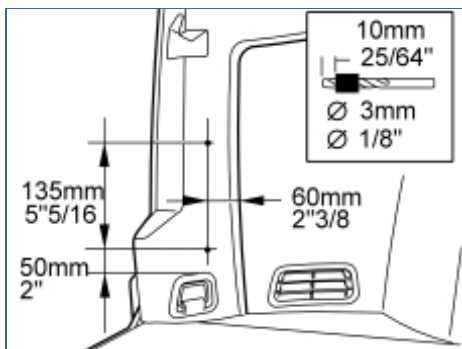
INTRODUCTION

Net pocket, cargo compartment

- **NOTE! Read through the entire text before carrying out any work.**
- The front page gives the date of this edition and the edition it replaces
- The second page shows the tools needed for the installation and the contents of the installation kit
- The illustrations display the procedure in order of operation. The order of operation is repeated in the text section
- Cut out the text page in order to follow the illustrations and text at the same time.



1A

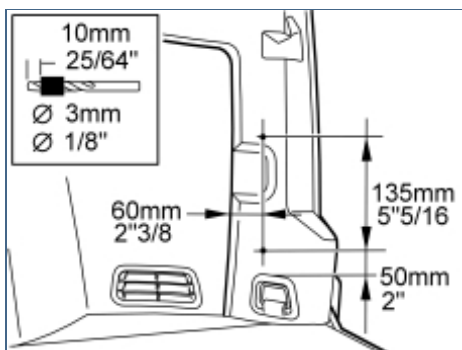


R8902457

Illustration A is for making holes on the left-hand side
Illustration B is for making holes on the right-hand side

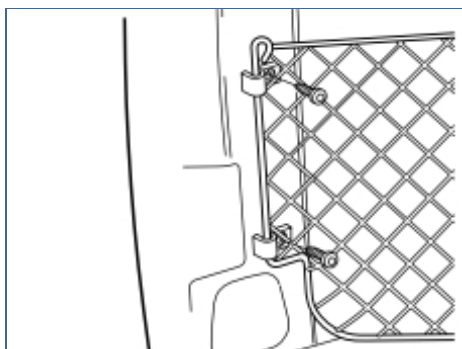
- Measure up for drilling holes for securing the net pocket
- Drill out the holes. Use a **3 mm (1/8")** diameter drill bit. Use a **10 mm (25/64") drill stop**
- Remove the swarf. Smooth out the hole edges if necessary.

1B



R8903007

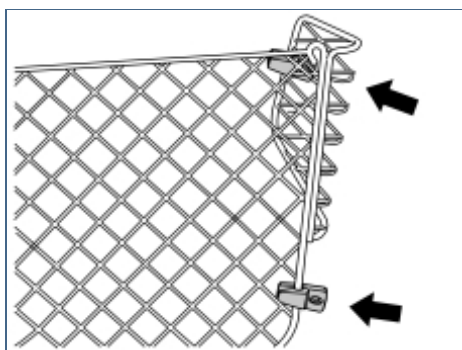
2



R8902447

- Take two clips, two screws and the net pocket from the kit
- Using the screws and clips, tighten the rear face of the net pocket in the newly drilled holes as illustrated.

3

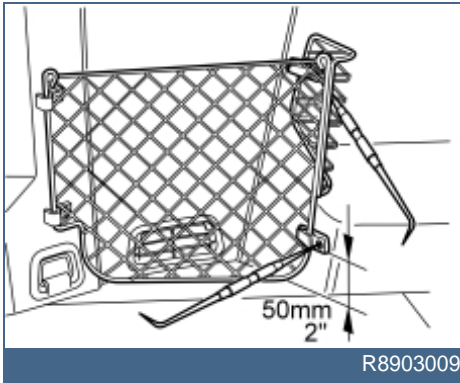


R8902461

- Take two clips from the kit. Install them on the front face of the net pocket in approximately the position shown in the illustration.

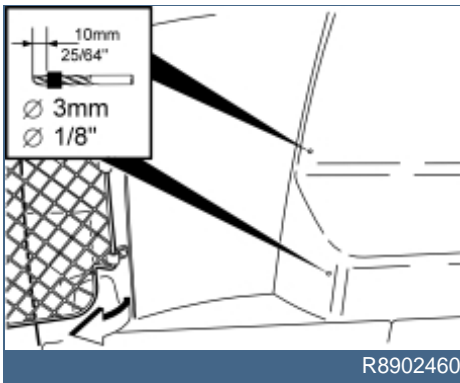


4



- Bend in the front face of the net pocket towards the side panel
- Align the entire front face of the net pocket so that it is parallel with the edges of the panel as illustrated and the lower face so that it is against the floor hatch
- Raise the lower clip so that its lower edge is **50 mm (2")** from the floor hatch
- Ensure that the clips are against the panel. Mark the panel for drilling using an awl or scribe through the holes in the clips.

5



- Angle out the front face of the net pocket
- Drill out the holes. Use a **3 mm (1/8")** diameter drill bit. Use a **10 mm (25/64") drill stop**
- Remove any swarf.

6



- Angle the net pocket in towards the panel
- Take two screws from the kit. Tighten the net pocket and clips to the panel as illustrated.