

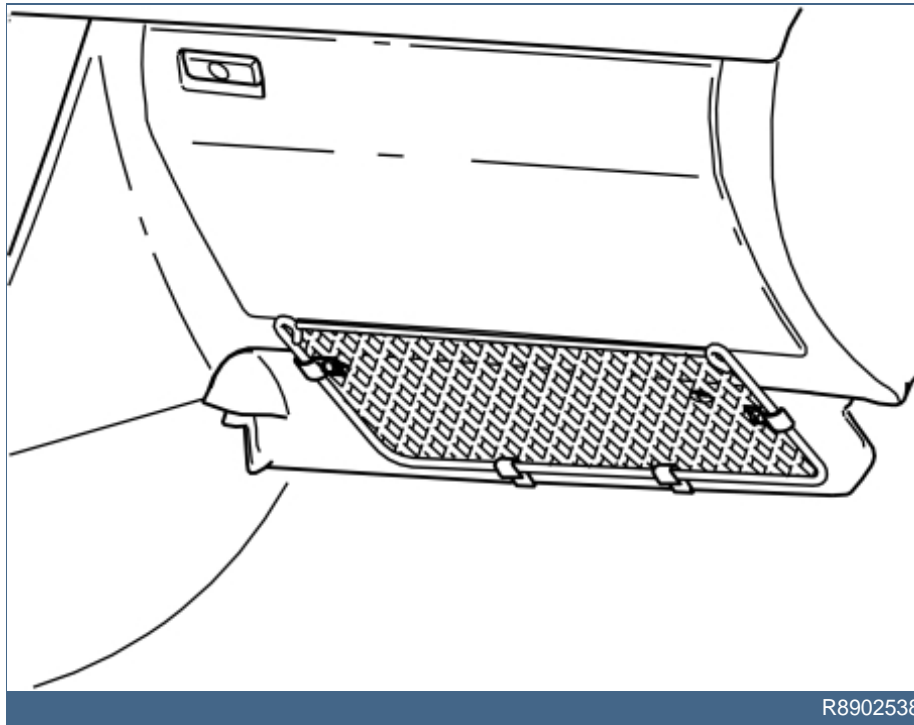


## XC90

Section	Group	Weight(Kg/Pounds)	Year	Month
8	88		2002	04

XC90 2003, XC90 2004, XC90 2005, XC90 2006, XC90 2007, XC90 2008

Replaces issue: 2001 10





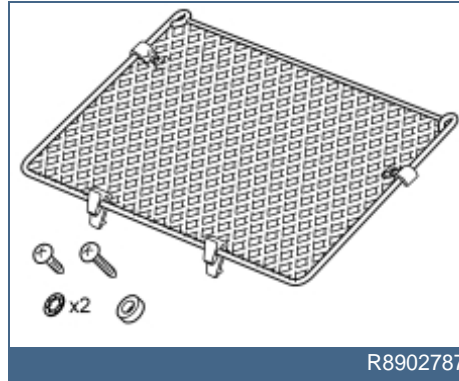
## Required tools



A0000162



A0000163



Any comments on this publication? Please contact your nearest dealer. Thank you!

Publication no: MA 8641702, Issue: 2002-04
Comments:..... ..... ..... ..... ..... .....
From:.....
Address:.....
Telephone no:.....
Telefax:.....



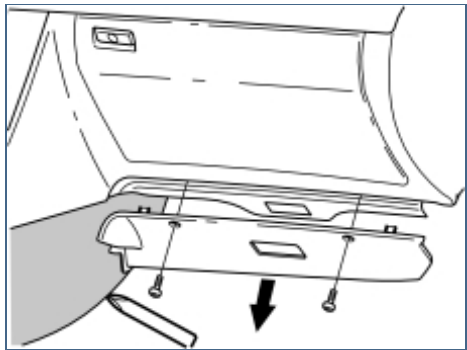
## INTRODUCTION

## Net pocket, dashboard

- **NOTE! Read through the entire text before carrying out any work.**
- The front page gives the date of this edition and the edition it replaces
- The second page shows the tools needed for the installation and the contents of the installation kit
- The illustrations display the procedure in order of operation. The order of operation is repeated in the text section
- Cut out the text page in order to follow the illustrations and text at the same time.



1

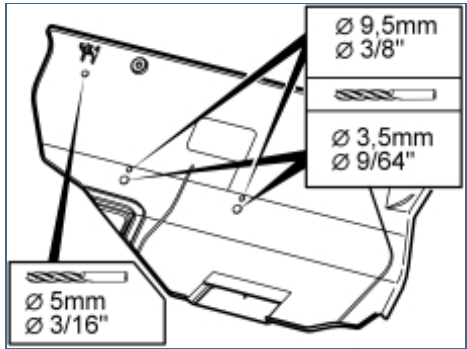


R8902540

## Mirror the installation for right-hand drive cars

- Remove the centre console side panel by carefully prying off the panel. Use a weatherstrip tool
- Remove the panel under the glove compartment by first removing the two screws and then by prying off the panel at the lower edge. The left screw will not be used again.

2



R8902788

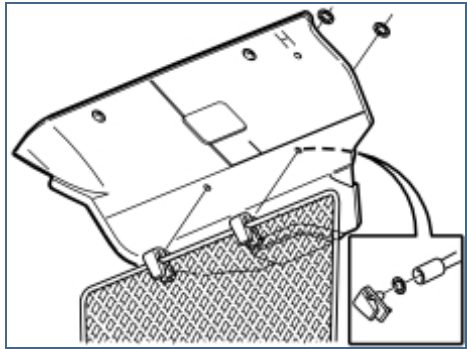
- Place the panel reverse side up on a flat surface
- Drill out the two smallest holes marked at the lower edge of the panel using a **Ø 3.5 mm (9/64")** drill bit
- Then drill out the two larger holes using a **Ø 9.5 mm (3/8")** drill bit.

### Note!

Drill the smaller holes in the larger markings and the larger holes in the smaller markings.

- Drill out the marked hole on the left-hand top edge of the panel. Use a **5 mm (3/16")** diameter bit
- Remove any swarf and even off the hole edges.

3



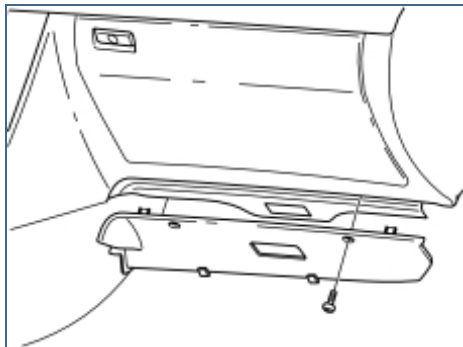
R8902789

- Press the two lower clips into the net in the lower holes at the lower edge of the panel
- Lock the clips using two new locking washers.

Use a 10 mm socket as a counterhold when installing the locking washers.



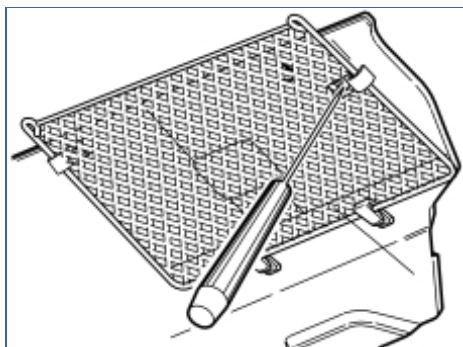
4



R8902543

- Reinstall the panel. Lightly secure the panel using the right-hand screw.

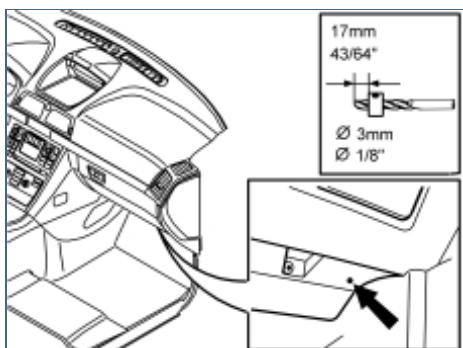
5



R8902790

- Mark for drilling using a pin punch. Punch through the upper right-hand hole in the panel before drilling in point 6
- Remove the panel again.

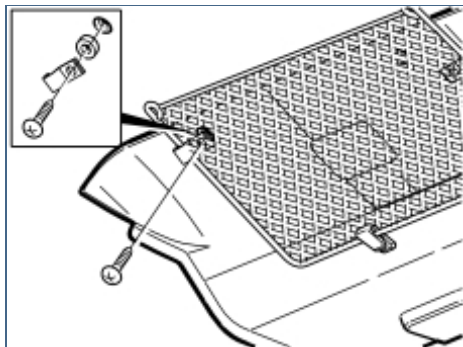
6



R8902545

- Drill through the dashboard. Use a **3 mm (1/8")** diameter drill bit. Use a **17 mm (43/64")** drill stop
- Remove any swarf.

7



R8902791

- Reinstall the panel using the right-hand screw
- Fold-up the net pocket against the panel. Ensure that the upper left-hand clip is opposite the hole
- Take the short screw and washer from the kit. First thread the screw through the clip and then the put the washer onto the screw
- Tighten the clip and the panel
- Insert and tighten the right-hand screw through the clip and panel.

**Note!**

Ensure that the net is not trapped by the clips or screws when tightening.



- 
- Reinstall the side panel on the centre console.

**Caution!**

Do not store sharp or heavy items in the net pocket as this may cause injury to passengers in the event of a collision. Maximum recommended weight in the net pocket is - approximately 1 kg.

---