

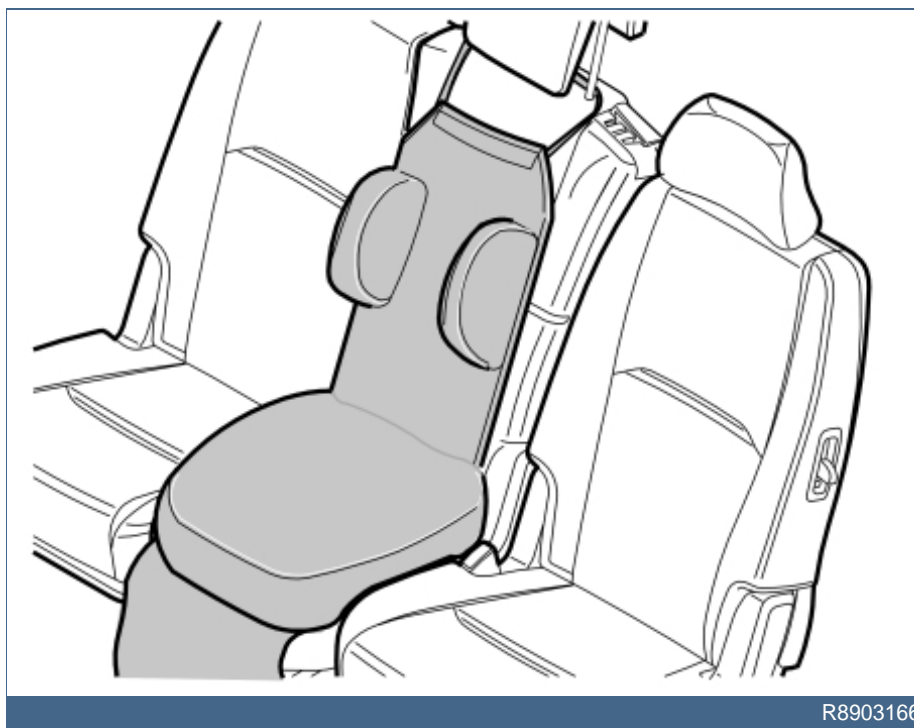


XC90

Section	Group	Weight(Kg/Pounds)	Year	Month
8	85		2002	09

XC90 2003, XC90 2004, XC90 2005, XC90 2006, XC90 2007, XC90 2008

Replaces issue: 2001 06



R8903166



Required tools

Any comments on this publication? Please contact your nearest dealer. Thank you!

Publication no: MA 8682268, Issue: 2002-09
Comments:.....
From:.....
Address:.....
Telephone no:.....
Telefax:.....



INTRODUCTION

- **NOTE! Read through the entire text before carrying out any work.**
- The front page gives the date of this edition and the edition it replaces
- The second page shows the tools needed for the installation and the contents of the installation kit
- The illustrations display the procedure in order of operation. The order of operation is repeated in the text section
- Cut out the text page in order to follow the illustrations and text at the same time.

Padded upholstery

Note!

The foam sections must be removed when washing. See the washing instructions on the upholstery.



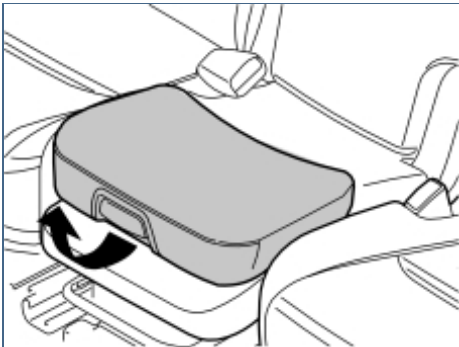
1



R8504078

- Pull up the head restraint.

2



R8504504

- Fold up the seat cushion.

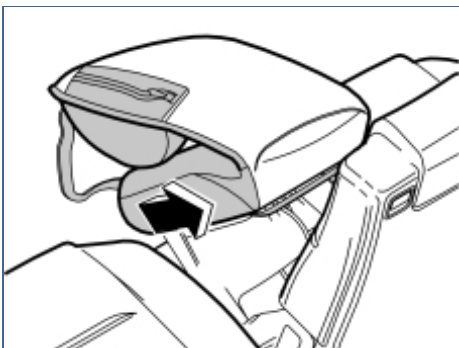
3



R8903159

- Pull the padded upholstery over the front edge of the seat cushion.

4

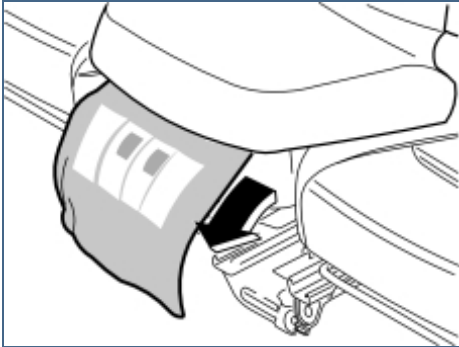


R8903160

- Pull the padded upholstery to the rear edge of the seat cushion
- Tighten the strap underneath the rear edge of the seat cushion
- Press the seat cushion into the up position.



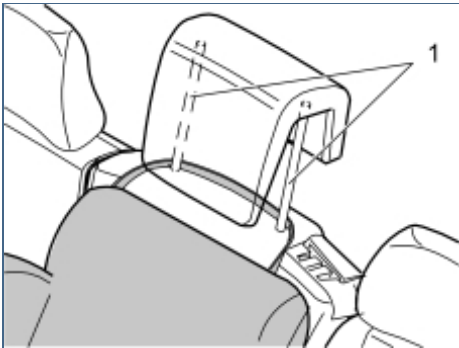
5



R8903161

- Pull the plastic cover over the front edge of the seat.

6



R8504085

- Pull up the padded upholstery to the head restraint
- Secure the strap for the padded upholstery around the head restraint strut (1)
- Press the head restraint down.