



XC90

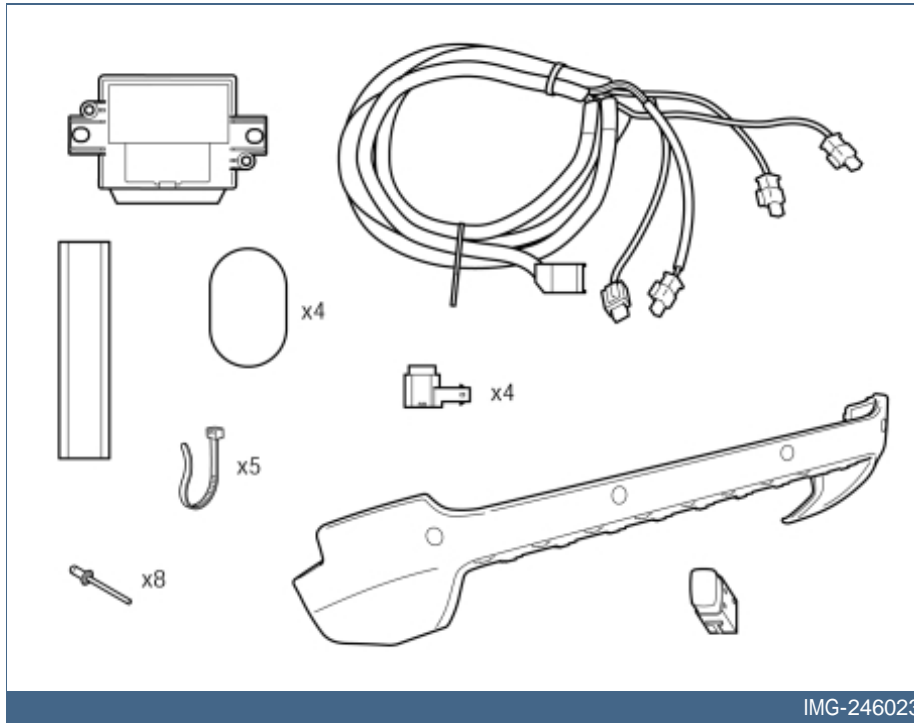
Section	Group	Weight(Kg/Pounds)	Year	Month
3	366	0.5/1	2006	04

Installation instructions, accessories - Parking assistance, rear

Volvo Car Corporation Göteborg, Sweden



Required tools



Any comments on this publication? Please contact your nearest retailer. Thank You!

Publ.no:	Issue:	Kit no:
Comments:.....		
.....		
.....		
.....		

From:	
Address:	
Telephone:	
Telefax:	

IMG-213320





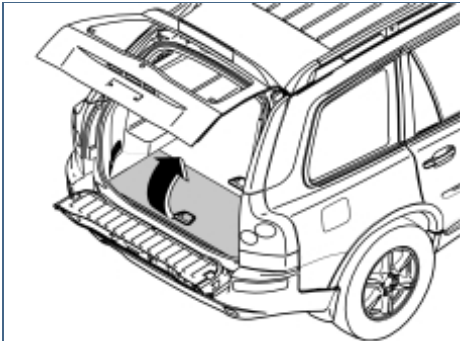
INTRODUCTION

Parking assistance, rear

- **NOTE! Read through the entire text before carrying out any work.**
- The front page gives the date of this edition and the edition it replaces
- The second page shows the tools needed for the installation and the contents of the installation kit
- The illustrations display the procedure in order of operation. The order of operation is repeated in the text section
- Cut out the text page in order to follow the illustrations and text at the same time.



1



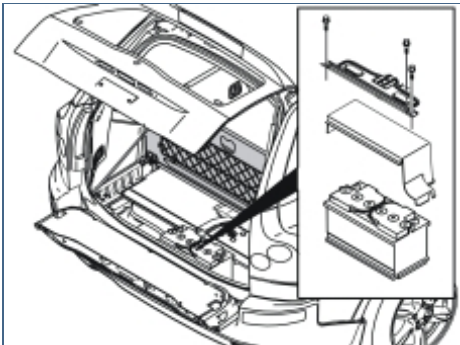
R8503999

Preparations

Applies to cars with two rows of seats

- Fold up the middle, rear floor hatch. Unhook the straps.
- Remove the storage box underneath and lift it out.
- Fold back the floor hatch. Pull the floor hatch backwards and lift it out.

2



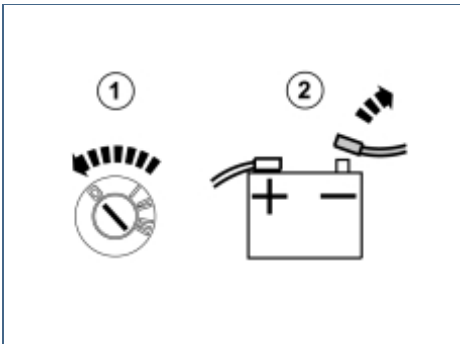
R3100130

Preparations

Remove:

- the three screws in the holder for the battery and lift it out.
- the battery cover.
- the holder for the tool bag.

3



IMG-246024

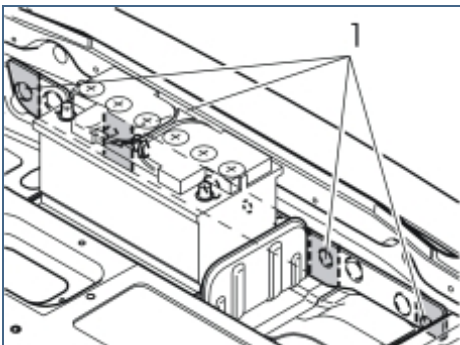
Preparations

- Turn the ignition key to position 0.
- Disconnect the battery negative lead.

Note!

Wait at least 2 minutes before disassembling the connectors or removing other electrical equipment.

4



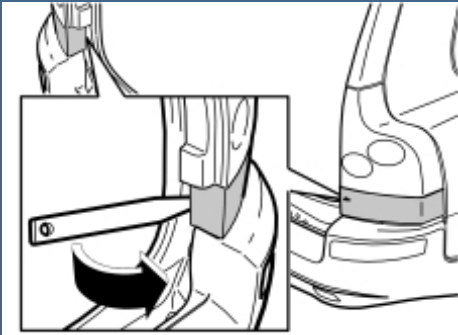
R3100131

Preparations

- Remove the pre-punched pieces (1) from the insulation panel in the rear crossmember by cutting them off at the markings.
- Remove the four sleeve nuts holding the bumper in place. They are in the holes under the insulation panel. Lift them out and remove them using a magnet



5

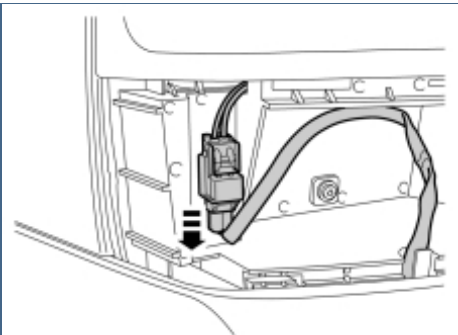


R8600873

Preparations

- Remove the cover panel under the tail lamps on the right and left sides by carefully prying them loose using a weatherstrip tool.

6

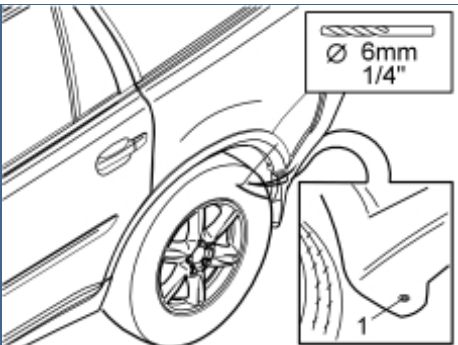


IMG-246025

Preparations

- Disconnect the connector for the fog lamp on the left-hand side. The upper part of the connector must remain on its holder.

7



R8600883

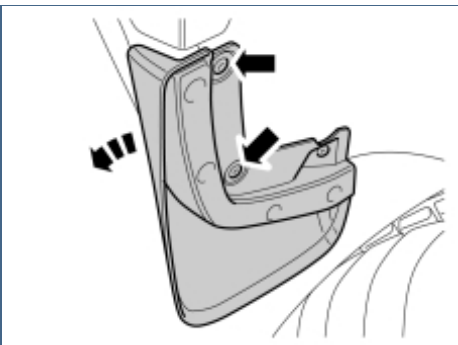
Preparations

Note!

Points 7-10 are carried out on the right and left-hand sides.

- Drill out the rivets on the underneath of the front edge using a **6 mm (1/4")** drill bit.

8



IMG-246027

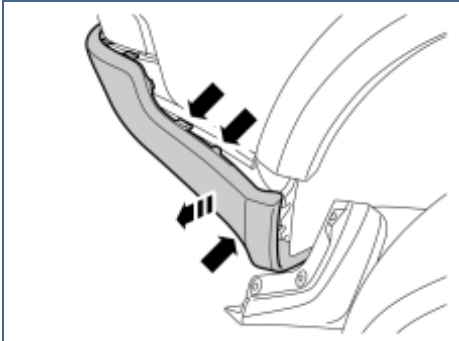
Preparations

Applies to cars with mudguards

- Drill out the two rivets using a **6 mm (1/4")** drill bit. Leave the inner rivet in place.
- Turn the mud guard outwards/downwards.



9

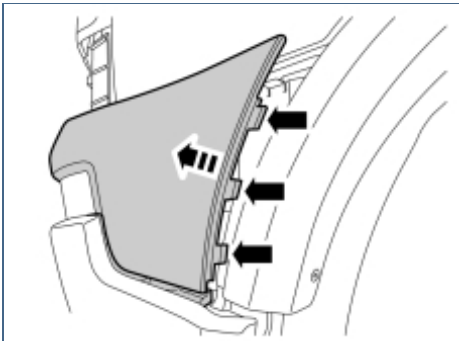


IMG-246028

Preparations

- Pull off the lower section of the bumper cover at the front edge so that the two hooks at the upper edge, and the hooks on the inside, release.

10

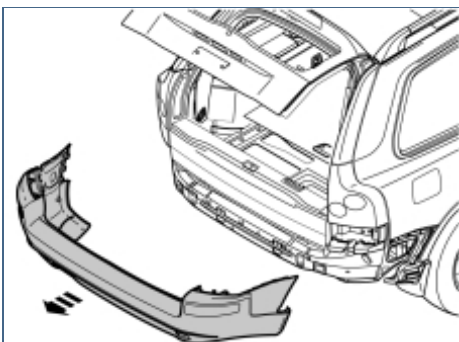


IMG-246123

Preparations

- Grasp the lower edge of the upper section of the bumper cover. Pull straight out so that the three hooks release. The hooks may be hard to release, if so, release using a weatherstrip tool.
- Pull out the ends further until the four hooks, which are horizontally positioned at the upper edge, release.

11

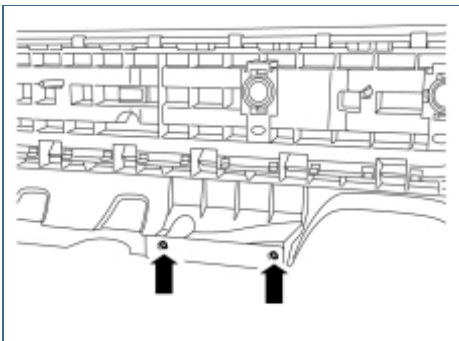


IMG-246029

Preparations

- Fold up the lower tailgate.
- Pull the bumper backwards and remove the bumper.
- Place the bumper on a suitable surface that will not damage the paint.
- Remove the remaining parts of the removed rivets.

12



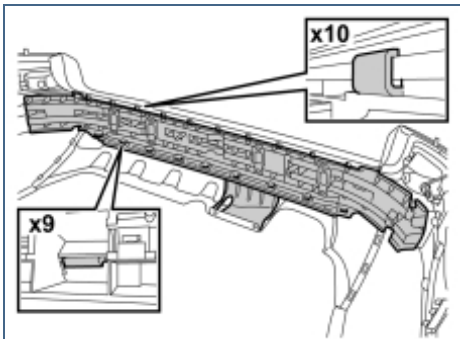
IMG-246030

Preparations

- Remove the two clips.



13

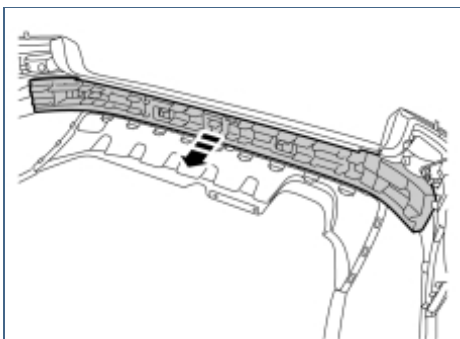


IMG-246045

Preparations

- Unhook the ten catches at the upper edge of the bumper.
- Release the nine hooks in the middle of the bumper, at the same time as separating the inner and outer sections of the bumper.
- Remove the inner part of the bumper.

14

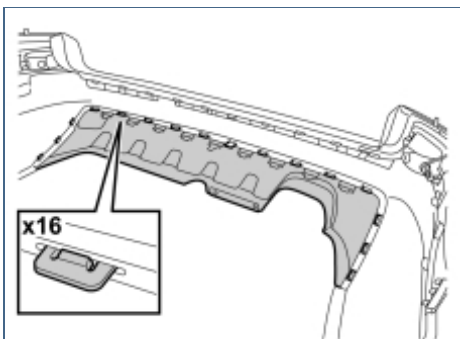


IMG-246046

Preparations

- Remove the polystyrene support.

15

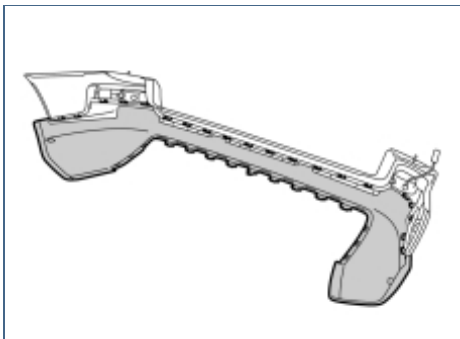


IMG-246047

Preparations

- Remove the lower part by releasing the hooks.

16



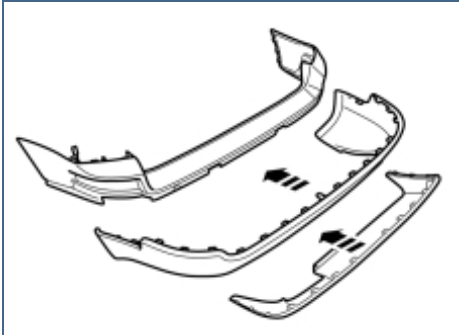
IMG-246048

Preparations

- Remove the middle section by unhooking the hooks. The middle section will no longer be used.



17

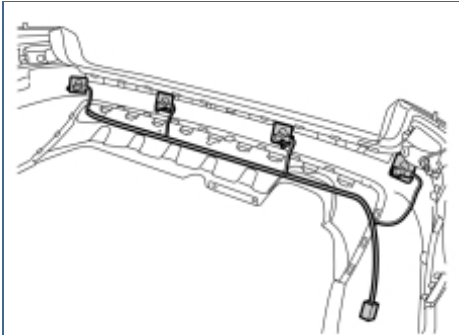


IMG-246049

Installing the bumper section with sensors

- Install the new bumper section with the pre-mounted sensor holders.
- Install the lower section. Check that all hooks engage.

18

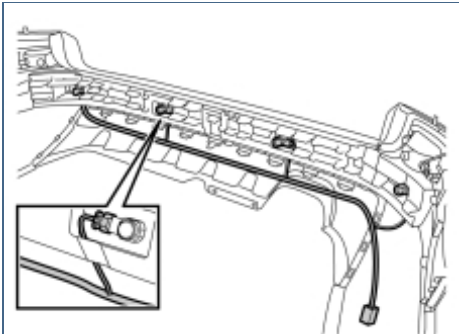


IMG-246052

Installing the bumper section with sensors

- Press the cable harness connectors into the sensor's connectors. A clicking noise should be heard, which confirms that the catches have activated.
- Press the sensors with cable harness in each holder with the connector pointing to the left, as illustrated.

19

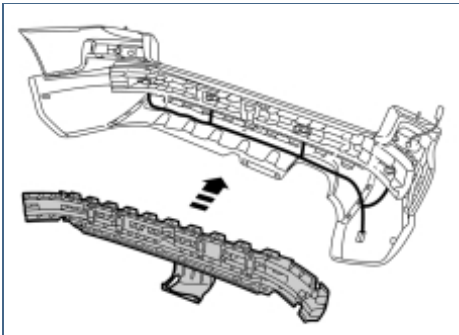


IMG-246053

Installing the bumper section with sensors

- Install the polystyrene support. Position the four cables from the sensors so that they are in the cutouts for the polystyrene support.

20



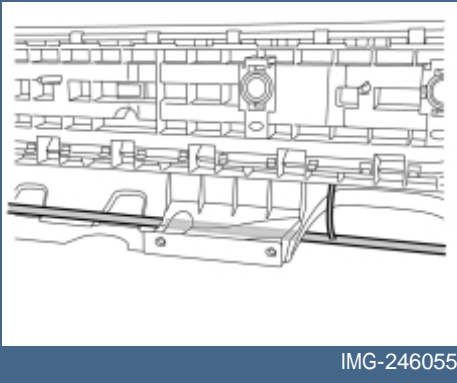
IMG-246054

Installing the bumper section with sensors

- Install the inner section loosely against the outer section.



21

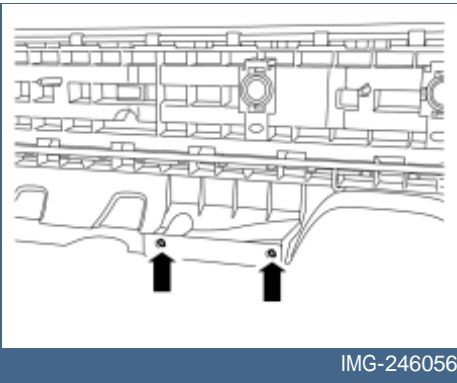


IMG-246055

Installing the bumper section with sensors

- Route the cable harness over the inner section.
- Press the inner section against the outer section. Use a plastic or rubber mallet to facilitate installation. Check that all hooks engage.

22

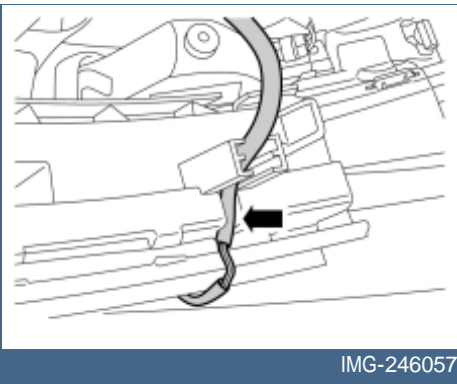


IMG-246056

Installing the bumper section with sensors

- Press the cable harness in the relevant channel on the inner section.
- Reinstall the two clips.

23

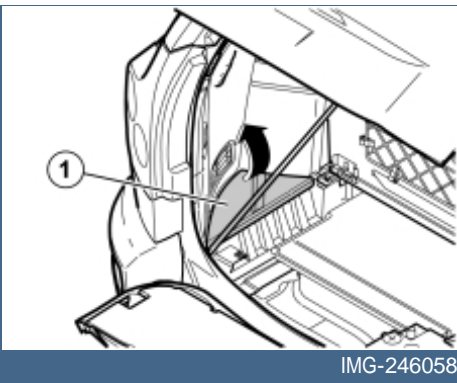


IMG-246057

Installing the bumper section with sensors

- Press the cable harness so that the hooks lock the cable harness inside the protruding section.

24

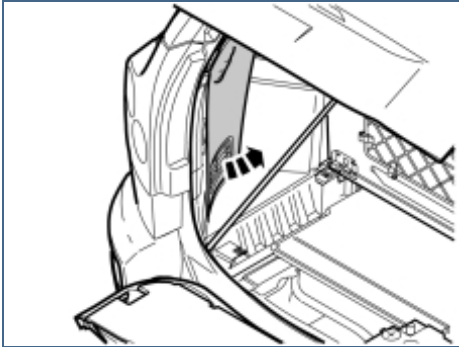


IMG-246058

- Remove the floor hatch (1) on the left-hand side.



25



IMG-246059

- Remove the side panel on the left-hand side.

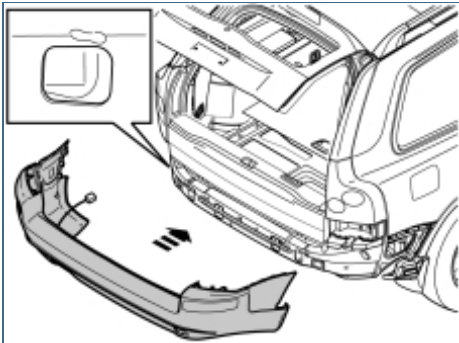
26



R8903013

- Remove the foam seal on the left-hand side in the rear crossmember under the left-hand side floor hatch. Do not damage the seal, it will be reused.

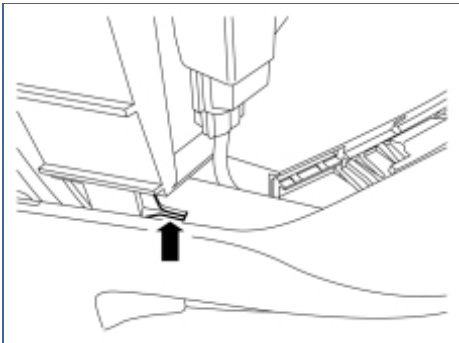
27



IMG-246060

- Fold up the lower tailgate.
- Lift up the bumper, insert the cable from the sensors into the large rectangular hole to the left in the rear crossmember, and then into the hole where the foam seal was located.

28



IMG-246061

- Position the cable in its cutout between the plastic bracket and the bumper cover. Check that the guide on the side of the bumper cover is inside the plastic bracket.
- Press the bumper's four hooks at the rear edge into place.
- Press all the hooks for the ends into the body.
- Lower the lower tailgate.
- Tighten the bumper using the four sleeve nuts. Tighten to **16 Nm (12 lbf.ft.)**.

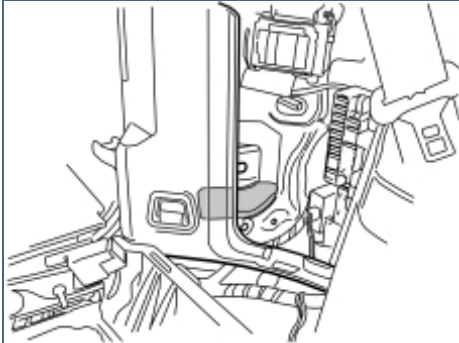
To facilitate installation, secure the sleeve nut to the tool using butyl tape.

- Take the new pieces of insulation panel and place them over the holes for the bumper.



- Connect the connector to the fog lamp.
- Reinstall the cover panels under the tail lamps.
- Rivet the bumper at the rear edge of the wheel housing, on both sides. Use rivets from the kit.
- Turn back and rivet any mud guards.

29

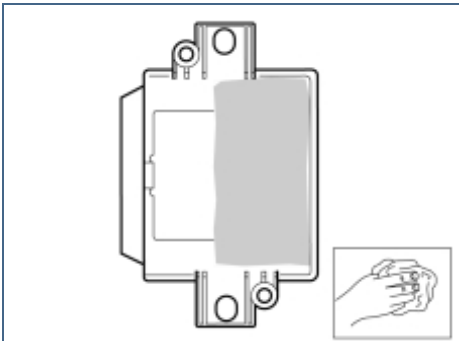


R8504475

Installation of the Parking Assistance Module (PAM)

- Clean the flat surface on the reinforcement panel's lower section, behind the side panel where the control module is to be secured. Use isopropanol.

30

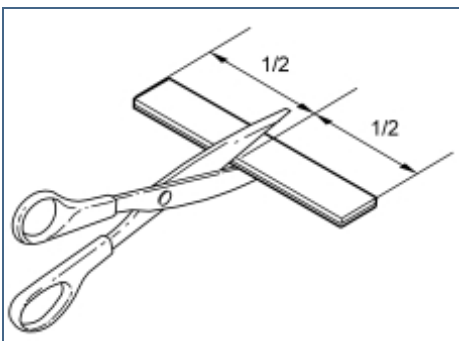


IMG-246062

Installation of the Parking Assistance Module (PAM)

- Clean the reverse of the control module using isopropanol.

31



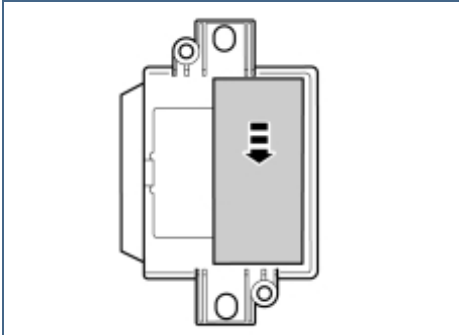
IMG-222282

Installation of the Parking Assistance Module (PAM)

- Take the Velcro strips and cut them in the middle.
- Press them together.
- Remove the protective film from one side of the Velcro tape



32

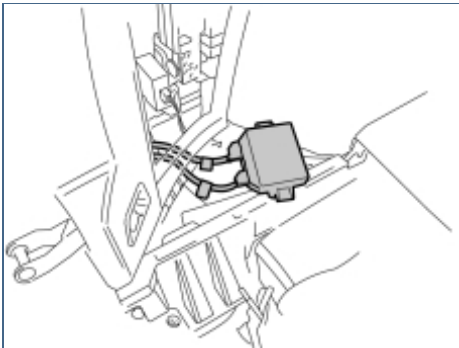


IMG-246063

Installation of the Parking Assistance Module (PAM)

- Press the Velcro tape onto the reverse of the control module, edge to edge on the upper edge.

33

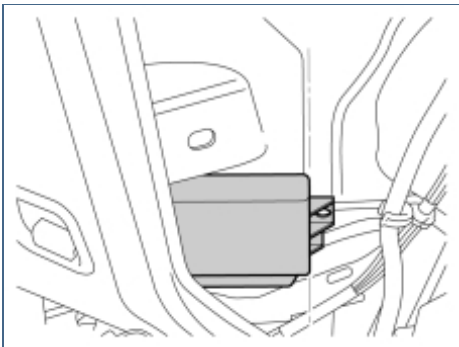


IMG-246064

Installation of the Parking Assistance Module (PAM)

- Locate the pre-routed cable harness with the light brown connector and connect it to the control module.
- Connect the cable harness from the sensors to the control module.

34

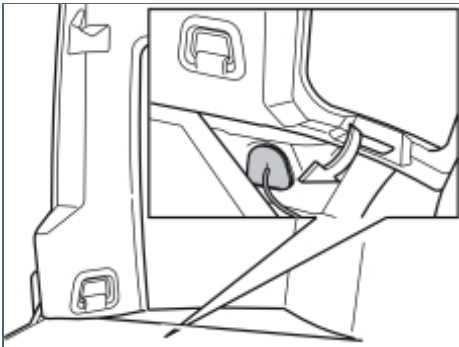


IMG-246065

Installation of the Parking Assistance Module (PAM)

- Remove the protective film from the Velcro tape.
- Press the control module properly onto the flat surface behind the panel, as illustrated. The control module's left end must be edge to edge with the panel reinforcement's vertical edge.

35

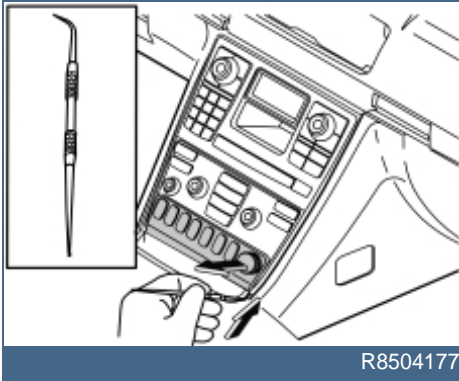


R3904120

- Reinstall the foam seal together with the cable harness from the sensors, in the hole in the rear crossmember.



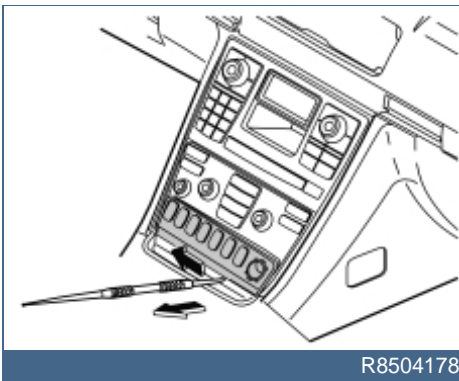
36



Installing the switch

- Remove the cover plug to the 12V socket.
- Take a scribe with angled tip. Insert the angled end of the scribe in the joint on the underneath of the keypad surround.

37



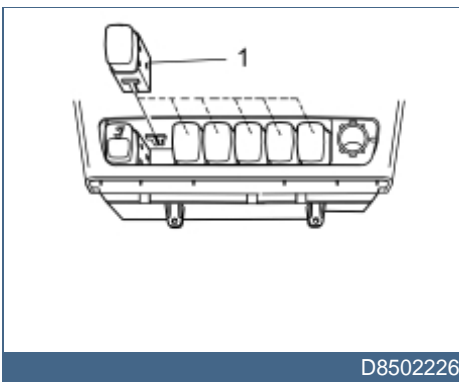
Installing the switch

- Carefully pull out the surround using the scribe along the underneath of the surround. The surround is secured by three mounting lugs at the upper and lower edges. Do not damage the surround.

- Place the surround to one side.

A surround with four button locations can be replaced with a surround with seven button locations if required. This is available for purchasing separately.

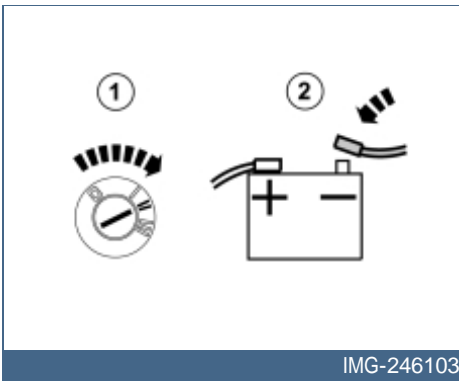
38



Installing the switch

- The switch can be located in any available position. Remove the dummy button and install the new switch (1).
- Reinstall the surround and cover plug to the 12V socket.

39



- Turn the ignition key to position II.
- Reconnect the battery negative lead
- Reinstall the cover and holder for the battery.
- Reinstall the holder for the tool bag.
- Reinstall the side compartment and floor hatches.
- Download the software for the accessory's function following the service information in VIDA.