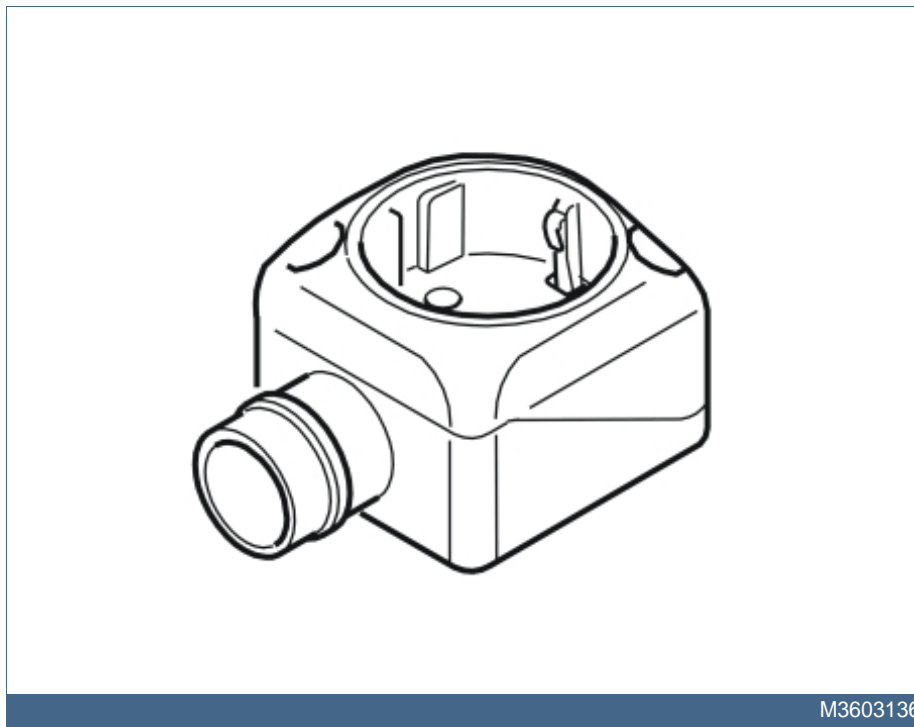




XC90

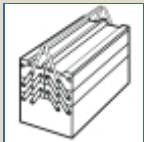
Section	Group	Weight(Kg/Pounds)	Year	Month
8	87		2003	04

XC90 2003 B5254T2, XC90 2004 B5254T2, XC90 2005 B5244T4, XC90 2005 B5254T2, XC90 2006 B5254T2, XC90 2007 B5254T2, XC90 2008 B5254T2





Required tools

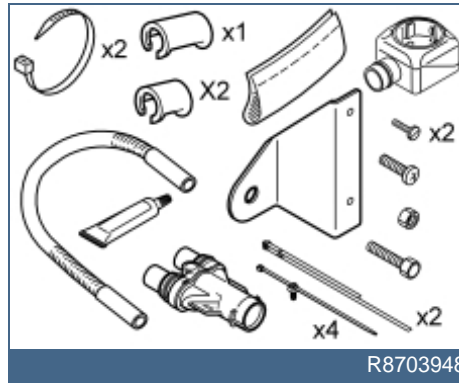


A0000162



Nm
lbf.ft

A0000161



R8703948

Any comments on this publication? Please contact your nearest dealer. Thank you!

Publication no: MA 30664492, Issue: 2003-04
Comments:.....
From:.....
Address:.....
Telephone no:.....
Telefax:.....



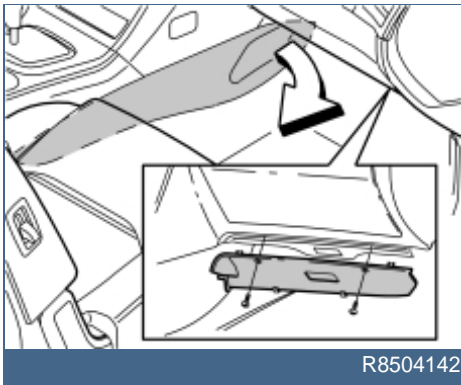
INTRODUCTION

Passenger compartment socket 230V

- **NOTE! Read through the entire text before carrying out any work.**
- The front page gives the date of this edition and the edition it replaces
- The second page shows the tools needed for the installation and the contents of the installation kit
- The illustrations display the procedure in order of operation. The order of operation is repeated in the text section
- Cut out the text page in order to follow the illustrations and text at the same time.



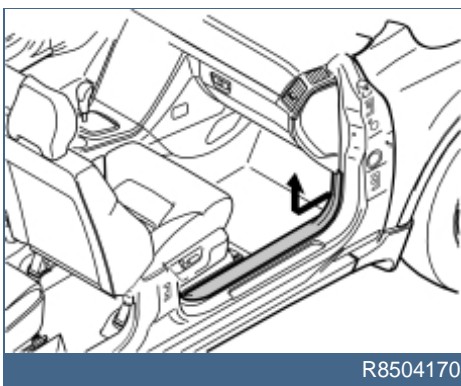
1



R8504142

- Remove the right-hand side panel from the centre console. Pull off the panel at the front edge. Then continue backwards until all the clips release
- Remove the right-hand side soundproofing panel. First remove the two screws. Then pry off the panel at the top edge.

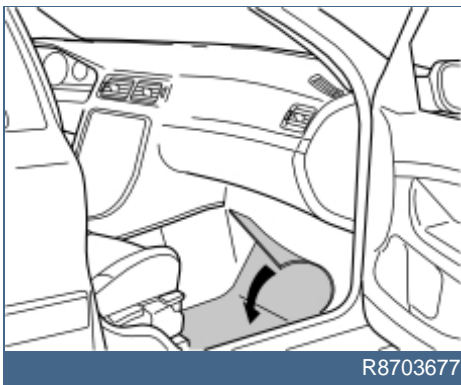
2



R8504170

- Remove the sill trim panel for the right-hand front door. Pull the front edge until the clip releases. Then continue backwards until the remaining clips have released
- Unhook the sill trim panel from the B-post panel and from the panel at the lower edge of the B-post panel.

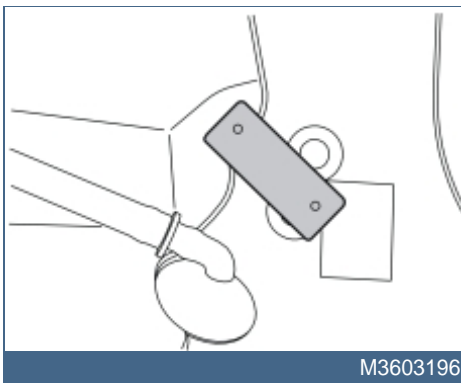
3



R8703677

- Fold the carpet to one side by the right-hand front seat.

4



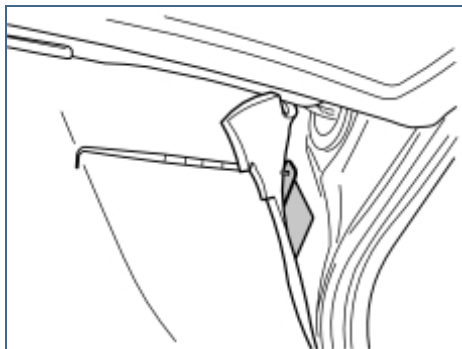
M3603196

- Remove the lower piece of tape. The tape is situated where the bracket is to be screwed into place
- Take the bracket and screw from the kit. Install the bracket in the existing weld nut under the recently removed piece of tape
- Turn the bracket so that it is positioned as illustrated
- Loosely install the connector. Check that the connector is straight, with the power connector at the front
- Tighten the bracket. Tighten to **10 Nm (7 lbf. ft.)**
- If the car has a child seat mounting bracket, the passenger compartment socket bracket must be positioned above this. Secure using the M6 screw. Tighten to



10 Nm (7 lbf. ft.).

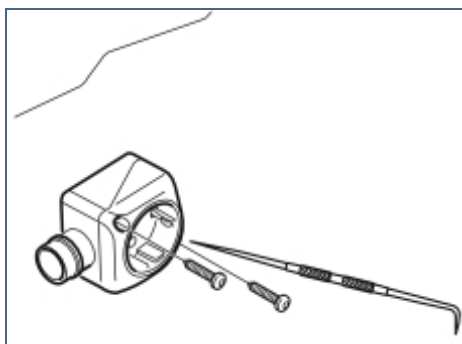
5



R8703679

- Fold the carpet back over the bracket
- Make a hole in the carpet opposite the upper mounting hole in the bracket using a double ended scriber.

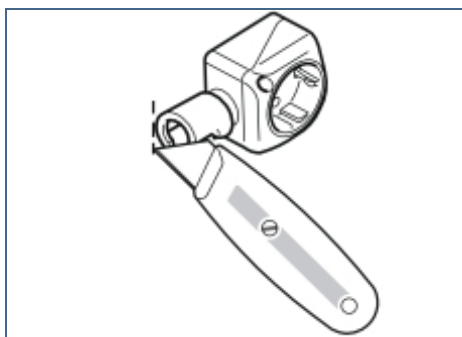
6



M3603137

- Take the passenger compartment socket and a screw from the kit. Tighten the passenger compartment socket to the bracket in the upper mounting
- Insert the double ended scriber into the lower mounting for the passenger compartment socket. Make a hole in the carpet opposite the lower hole on the bracket
- Tighten the lower mounting for the passenger compartment connector socket using a screw from the kit.

7



M3603138

- Press a locking sleeve (from the kit) onto the passenger compartment socket. Slide the locking sleeve as far along the terminal for the passenger compartment socket as possible
- Take a carpet knife and cut a slit in the carpet just in front of the locking sleeve. The cut must be as long as the diameter of the locking sleeve.

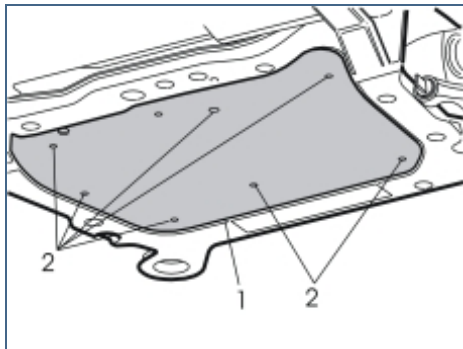
Note!

Do not damage wiring or hoses under the carpet.

- Remove the passenger compartment socket from the bracket.



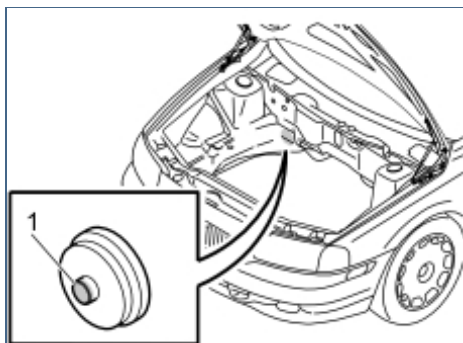
8



R2000348

- Remove the engine splash guard (1) by removing the screws (2).

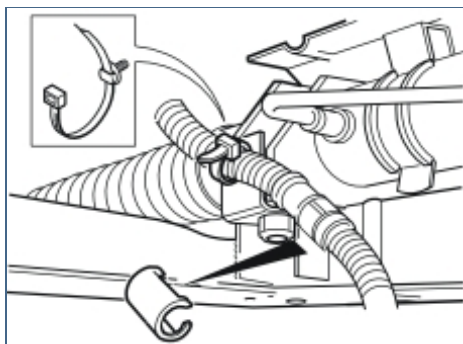
9



D8200091

- Press out the pre-punched engine compartment insulation
- Remove the rubber grommet (1) from the cowl panel and cut off the top
- Take the cable from the kit. Insert the cable through the rubber grommet and into the passenger compartment.

10

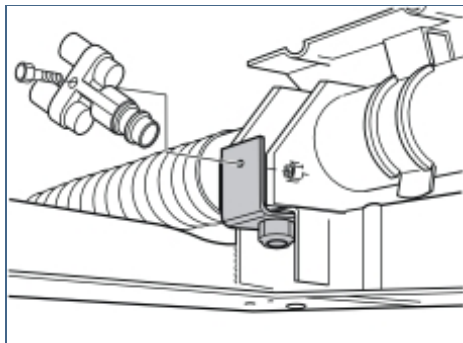


R2900218

If an engine block heater is installed:

- Remove the connectors for the engine block heater and the front engine block heater socket from the bracket on the steering gear.

11



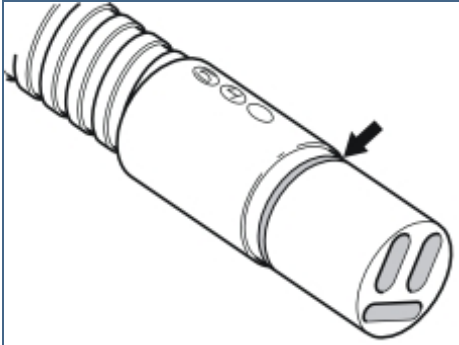
R2900219

If an engine block heater is not installed:

- Remove the nut from the right-hand side of the steering gear
- Install the bracket and a new nut from the kit
- Tighten the nut. Tighten to **50 Nm (35 lbf. ft.)**
- Install the junction connector on the bracket using the screw and nut from the kit.



12



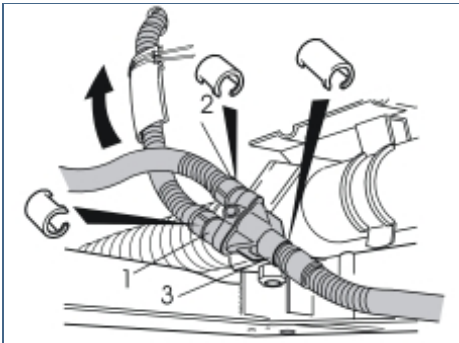
D3601932

- Grease the O-rings on the junction connector and cable from the front engine block heater socket. Use low temperature grease, (P/N 1161417-9).

Note!

Ensure that no grease gets onto the connector surfaces.

13



M3603153

- Take the heat shield sleeve and the two tie straps from the kit. Thread the heat shield sleeve onto the cable routed to the passenger compartment connector socket
- Pull the heat shield sleeve up to the rubber grommet for the passenger compartment. Tighten the two tie straps
- Connect the cable from the passenger compartment connector socket to the socket (1) on the junction connector
- Connect the cable from the engine block heater to the socket (2) on the junction connector
- Connect the cable from the front engine block heater socket to the socket (3) on the junction connector
- Press the locking sleeves (from the kit) over the cable splices. The larger locking sleeve must be on the socket (3).

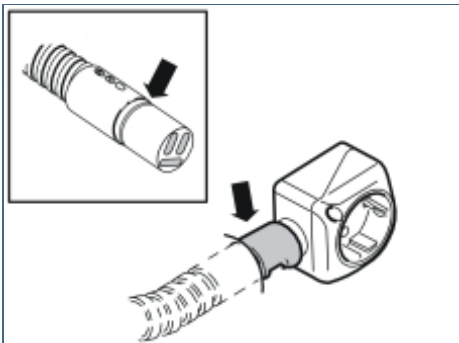
Note!

Ensure that the cable does not rub against any sharp edges etc. The cable must not be secured to the fuel lines, air conditioning (A/C) pipes or brake pipes.

14

- Reinstall the engine splash guard. Tighten the screws. Tighten to **25 Nm (17 lbf. ft.)**.

15



M3603139

- Insert the cable from the engine compartment through the hole in the carpet
- Grease the O-ring using low temperature grease, (P/N 1161417-9).

Note!

Ensure that no grease gets onto the connector surfaces.

- Connect the cable to the passenger compartment connector socket. Press a locking sleeve (from the kit) over the joint



- Fold the carpet back into position and install the passenger compartment socket using both the screws.

Reinstall:

- the soundproofing panel
 - the sill trim panel
 - the right side panel for the centre console.
-