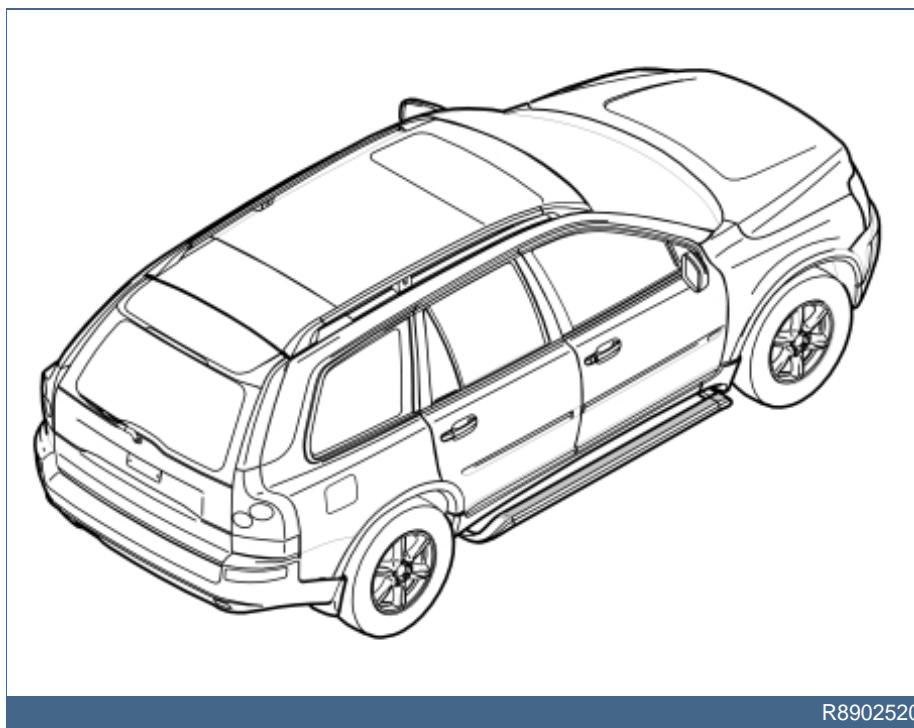




## XC90

Section	Group	Weight(Kg/Pounds)	Year	Month
8	89		2002	02

XC90 2003, XC90 2004, XC90 2005, XC90 2006, XC90 2007, XC90 2008

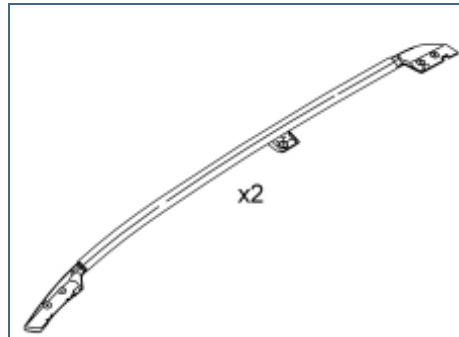




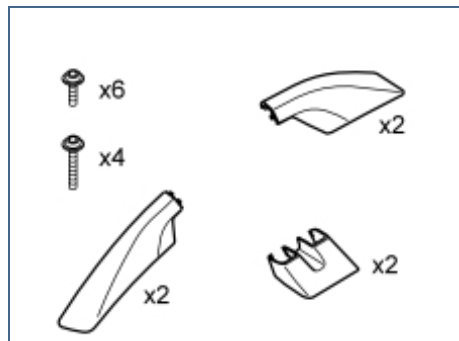
## Required tools



A0000162



R8902491



R8902492



Any comments on this publication? Please contact your nearest dealer. Thank you!

Publication no: MA 8682131, Issue: 2002-02
Comments:..... ..... ..... ..... ..... ..... .....
From:.....
Address:.....
Telephone no:.....
Telefax:.....



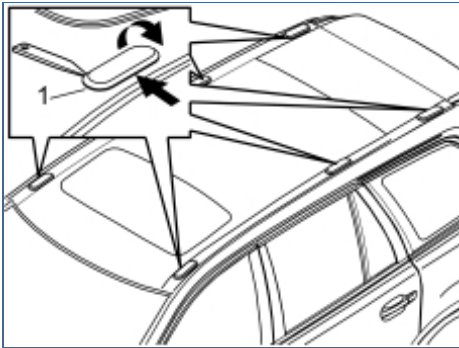
## INTRODUCTION

## Rails

- **NOTE! Read through the entire text before carrying out any work.**
- The front page gives the date of this edition and the edition it replaces
- The second page shows the tools needed for the installation and the contents of the installation kit
- The illustrations display the procedure in order of operation. The order of operation is repeated in the text section
- Cut out the text page in order to follow the illustrations and text at the same time.



1



R8902828

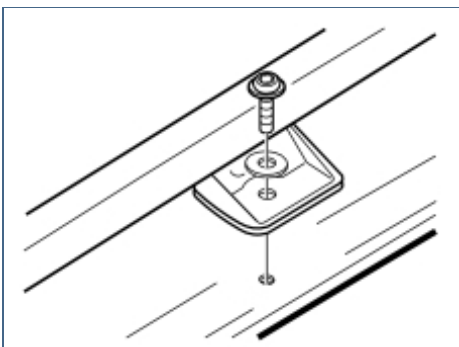
- Carefully pry off the six covers (1) using a plastic weatherstrip tool.

#### Note!

Be careful not to damage the paint. The covers are securely tightened. The best way of removing the covers is to grasp them at one of the longer sides. Then pull them outwards and pry up the other side.

- Remove the screws and sealing washers underneath both sides of the car. The screws and sealing washers will not be reused.

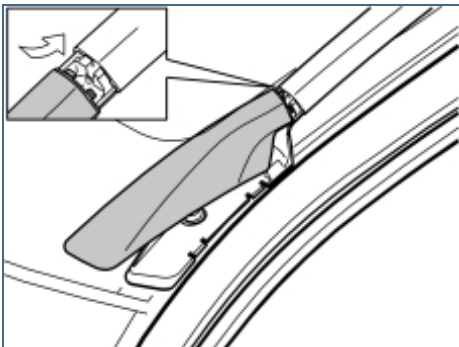
2



R8902829

- Remove one rail and three screws with washers and the rubber liner from the kit
- Carefully position the rail
- Using short screws, screw in the centre mounting loosely
- Using short screws, screw in the front mounting loosely
- Using long screws, screw in the rear mounting
- Tighten all mounting screws. Tighten to 8 Nm (6 lbf. ft.). Carry out the work in two stages to prevent misalignment of the mountings.

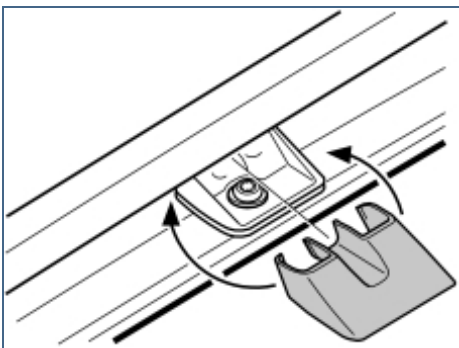
3



R8902495

- Install the cover on the front mounting for the rail. (check that the correct cover is on the correct side, right/left)
- Insert the two locating pins for the cover in the load carrier
- Fold the cover down towards the front mounting. Press into place
- Repeat the operation on the rear mounting.

4



R8902496

- Install the cover on the centre mounting
- Hook the cover onto the front edge of the mounting
- Press the cover backward. At the same time press the cover towards the rear edge of the mounting
- Carry out points - for the other rail.