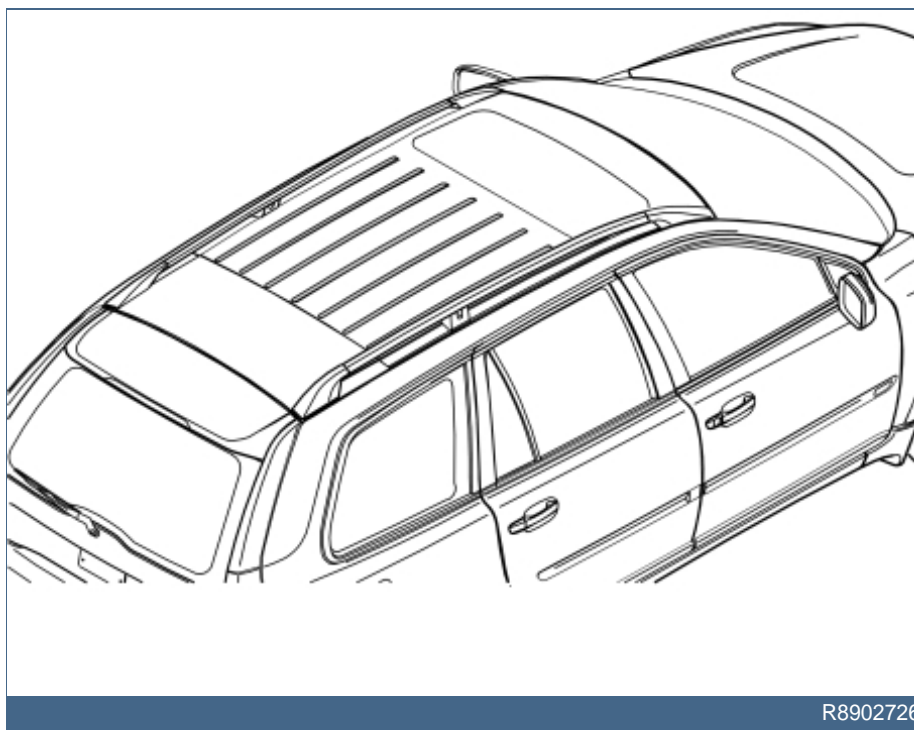




XC90

Section	Group	Weight(Kg/Pounds)	Year	Month
8	89		2002	09

XC90 2003, XC90 2004



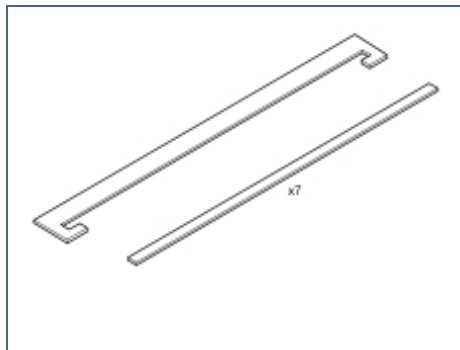
R8902726



Required tools



A0000159



R8902725

Any comments on this publication? Please contact your nearest dealer. Thank you!

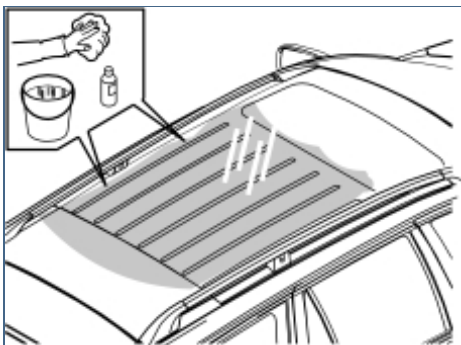
Publication no: MA 30664038, Issue: 2002-09
Comments:.....
From:.....
Address:.....
Telephone no:.....
Telefax:.....



Roof protector ribs



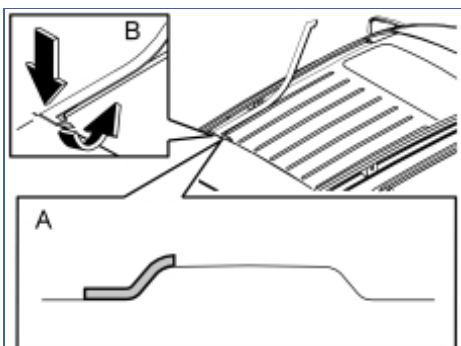
1



R8902727

- Remove the load carriers from the car (if equipped)
- Wash the car
- Wash the area of the car roof where the roof protector ribs are to be installed using a mixture of windscreen washer fluid and water. Mix 30%/70%. The temperature of the car must be at least **15°C (60°F)** when installing the roof protector ribs.

2



R8902728

- Take the guide moulding from the kit. Pull off a piece of the tape.

Note!

Take care when installing the guide moulding. The front-rear edge of the guide moulding must be positioned on the raised ridge where the flat surface starts to bend, illustration A. The rear edge of the guide moulding must be positioned in the corresponding way at the roof joint.

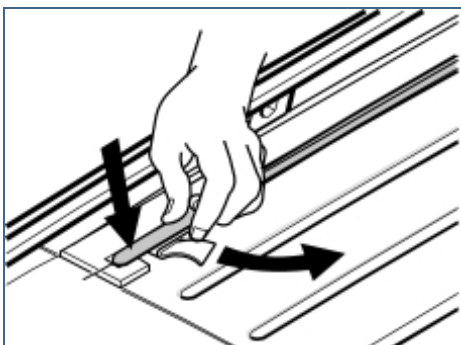
- Position the guide moulding as above at one of the front-rear raised ridges on the roof, illustration B
- Pull the backing off the guide moulding as it is pressed over the raised ridge.

Note!

Use pieces of tape to secure the guide moulding so that it does not move when installing the roof protector rib.

- Check that the guide moulding is straight by standing behind the car and looking along the guide moulding and the embossing on the roof.

3



R8902729

- Take a roof protector rib from the kit (one at a time). Position the rib on the raised ridge along the edge of the guide moulding edge to edge with the rear end on the guide moulding cut-out
- Lift the rear end of the roof protection rib and pull off the backing.

Note!

The tape on the roof protector ribs bonds immediately and can be moved from side to side. The tape on the roof protector ribs is easily stretched.

It is important that force is applied at right angles to the roof protector ribs so that the ribs do not stretch and will not align with the cut-out in the guide moulding.

Take great care during the installation. Ensure that the ribs are positioned along



and parallel to the installed guide moulding.

- Pull the backing off while pressing down the roof protector rib following the guide moulding
- Lift off the guide moulding

Caution!

Carefully press the roof protector rib by hand so that the tape secures over the entire contact surface. Press hard repeatedly along the entire length of the roof protector rib. It is particularly important at the end of the roof protector ribs.

- Repeat points 2 and 3 for the remaining roof protector ribs.

Note!

After installing the roof protector ribs, the car must not be exposed to temperatures lower than **15°C (60°C)** for 8 hours. Do not wash the car for 72 hours after installing the roof protector ribs.