

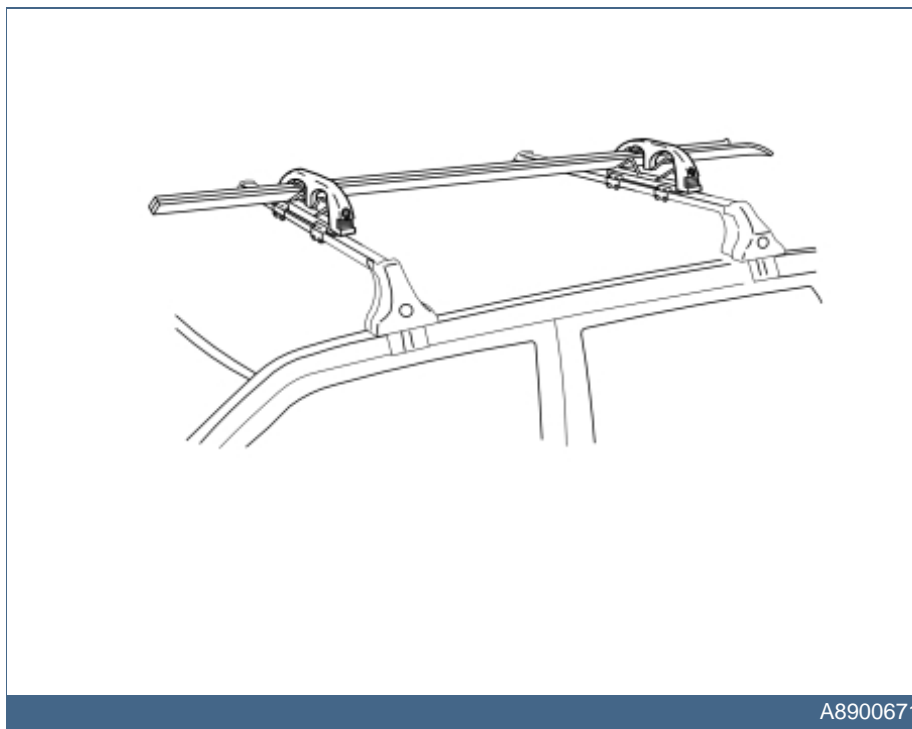


S80 (-06) / V70 XC (01-) / XC70 (-07) / S60 / V70 (00-08) / XC90 / S40 (04-) / V50

Section	Group	Weight (Kg/Pounds)	Year	Month
8	89		2003	08

S40 (04-) 2004, S40 (04-) 2005, S40 (04-) 2006, S40 (04-) 2007, S40 (04-) 2008, S40 (04-) 2009, S60 2001, S60 2002, S60 2003, S60 2004, S60 2005, S60 2006, S60 2007, S60 2008, S60 2009, S80 (-06) 1999, S80 (-06) 2000, S80 (-06) 2001, S80 (-06) 2002, S80 (-06) 2003, S80 (-06) 2004, S80 (-06) 2005, S80 (-06) 2006, V50 2004, V50 2005, V50 2006, V50 2007, V50 2008, V50 2009, V70 (00-08) 2000, V70 (00-08) 2001, V70 (00-08) 2002, V70 (00-08) 2003, V70 (00-08) 2004, V70 (00-08) 2005, V70 (00-08) 2006, V70 (00-08) 2007, V70 (00-08) 2008, V70 XC (01-) / XC70 (-07) 2001, V70 XC (01-) / XC70 (-07) 2002, V70 XC (01-) / XC70 (-07) 2003, V70 XC (01-) / XC70 (-07) 2004, V70 XC (01-) / XC70 (-07) 2005, V70 XC (01-) / XC70 (-07) 2006, V70 XC (01-) / XC70 (-07) 2007, XC90 2003, XC90 2004, XC90 2005, XC90 2006, XC90 2007, XC90 2008, XC90 2009

Replaces issue: 2002 01



A8900671



Required tools

Any comments on this publication? Please contact your nearest dealer. Thank you!

Publication no: MA 9172072, Issue: 2003-08
Comments:.....
From:.....
Address:.....
Telephone no:.....
Telefax:.....



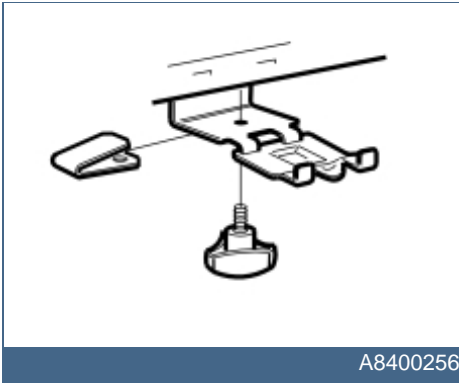
INTRODUCTION

Ski holder

- **NOTE! Read through the entire text before carrying out any work.**
- The front page gives the date of this edition and the edition it replaces
- The second page shows the tools needed for the installation and the contents of the installation kit
- The illustrations display the procedure in order of operation. The order of operation is repeated in the text section
- Cut out the text page in order to follow the illustrations and text at the same time.



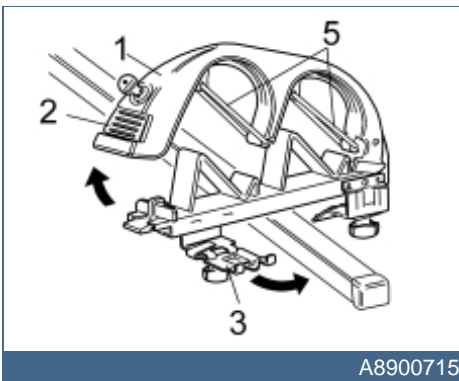
1



A8400256

Installing the cover

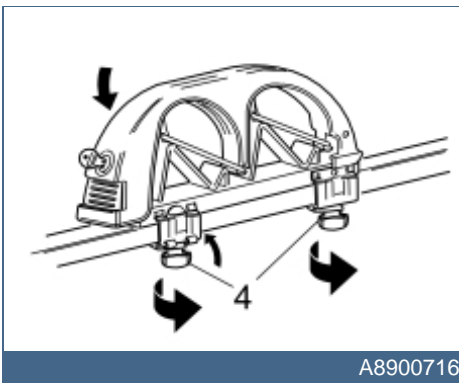
2



A8900715

- Unlock the holder (1)
- Press in the latch (2). Press the upper section upwards
- Install the rubber rings (5) as illustrated
- Open the lock facing (3). Place the holder on the load carrier by turning it over the load carrier.

3



A8900716

- Press the lock facing up and tighten the screws (4)
- Press the upper section down and lock it in place.