

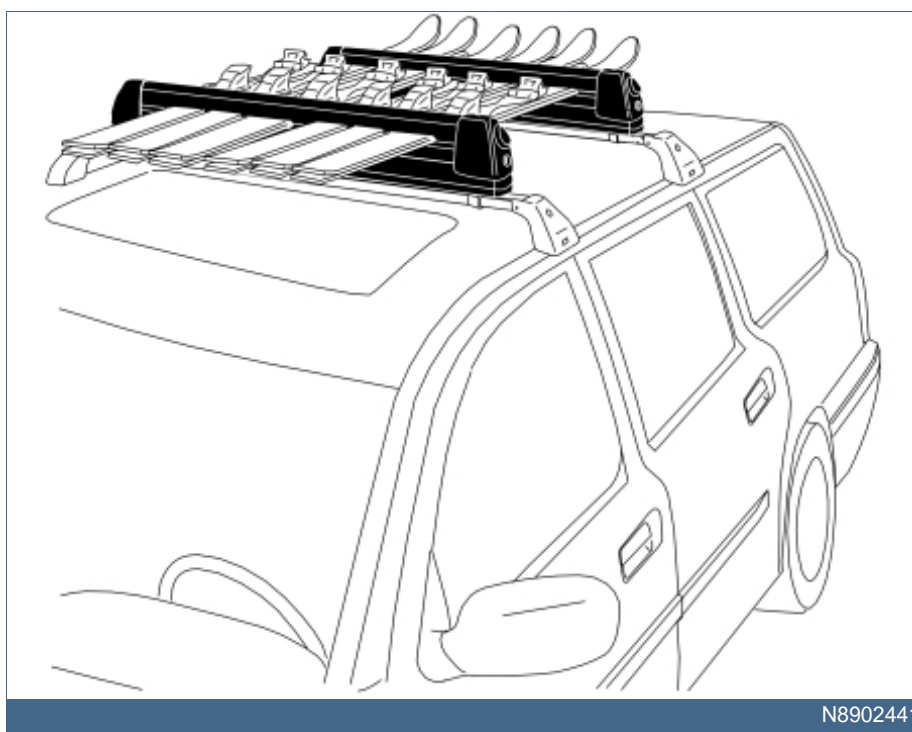
Installation instructions, accessories - Sliding ski holders

Volvo Car Corporation Göteborg, Sweden



S80 (-06) / V70 XC (01-) / XC70 (-07) / S60 / V70 (00-08) / XC90 / S40 (04-) / V50	Section	Group	Weight (Kg/Pounds)	Year	Month
	8	89		2001	04

S40 (04-) 2004, S60 2001, S60 2002, S60 2003, S60 2004, S60 2005, S60 2006, S80 (-06) 1999, S80 (-06) 2000, S80 (-06) 2001, S80 (-06) 2002, S80 (-06) 2003, S80 (-06) 2004, S80 (-06) 2005, S80 (-06) 2006, V50 2004, V50 2005, V50 2006, V70 (00-08) 2000, V70 (00-08) 2001, V70 (00-08) 2002, V70 (00-08) 2003, V70 (00-08) 2004, V70 (00-08) 2005, V70 (00-08) 2006, V70 XC (01-) / XC70 (-07) 2001, V70 XC (01-) / XC70 (-07) 2002, V70 XC (01-) / XC70 (-07) 2003, V70 XC (01-) / XC70 (-07) 2004, V70 XC (01-) / XC70 (-07) 2005, V70 XC (01-) / XC70 (-07) 2006, XC90 2003, XC90 2004, XC90 2005, XC90 2006



Installation instructions, accessories - Sliding ski holders

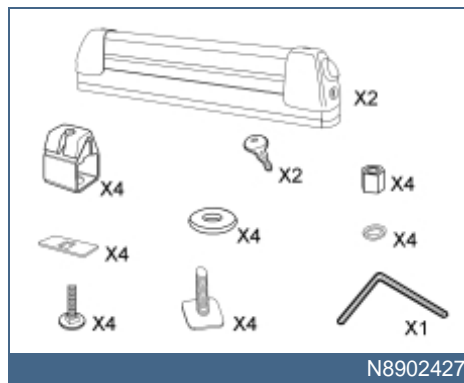
Volvo Car Corporation Göteborg, Sweden



Required tools



A0000162



N8902427



INTRODUCTION

- **NOTE! Read through the entire text before carrying out any work.**
- The front page gives the date of this edition and the edition it replaces
- The second page shows the tools needed for the installation and the contents of the installation kit
- The illustrations display the procedure in order of operation. The order of operation is repeated in the text section
- Cut out the text page in order to follow the illustrations and text at the same time.

Sliding ski holders

Note!

The ski holder may only be used for skis and snowboards.

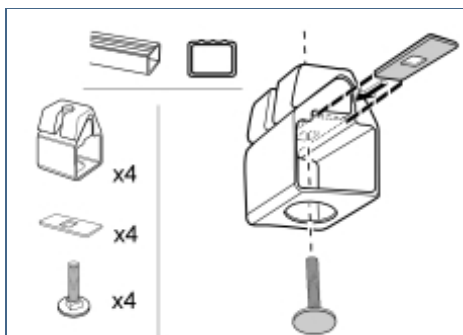
Note!

The ski holder can be mounted on both square profile and oval profile load carriers with T-grooves.

An extra installation kit is required for wing profile load carriers with T-grooves. The kit must be purchased separately.



1A

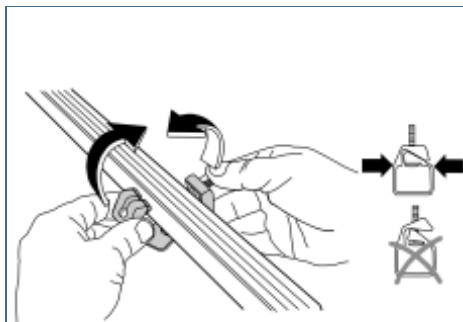


N8902428

Illustration A displays preparations on the square profile mounting

- Secure the washer using the screw in the mounting for the ski holder.

1B

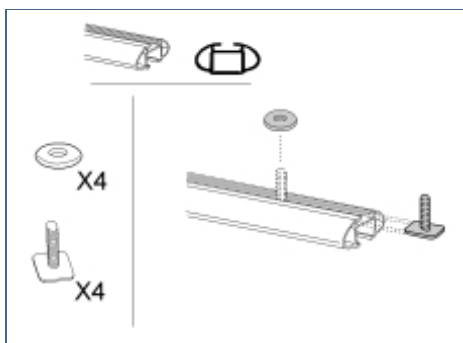


N8902429

Illustration B displays how to install the square profile mounting

- Install the mounting on the square profile load carrier.

1C

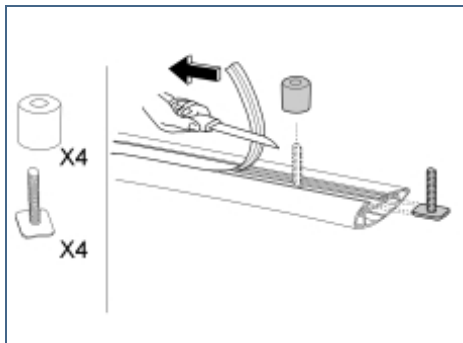


N8902430

Illustration C displays how to install the oval profile mounting with T-grooves

- Remove the rubber strip
- Insert the screw in the load carrier T-groove profile. Install the washer on the screw.

1D



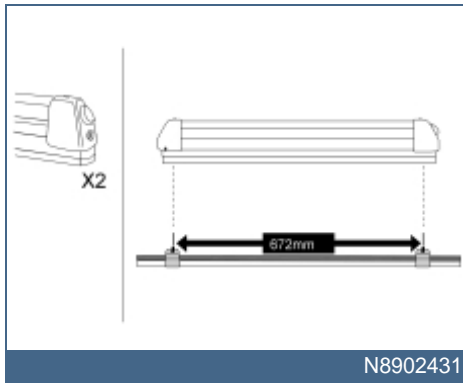
N8902436

Illustration D displays how to install the wing profile mounting with T-grooves

- Remove the rubber strip
- Insert the screw in the T-groove profile of the load carrier. Install the spacer sleeve on the screw.

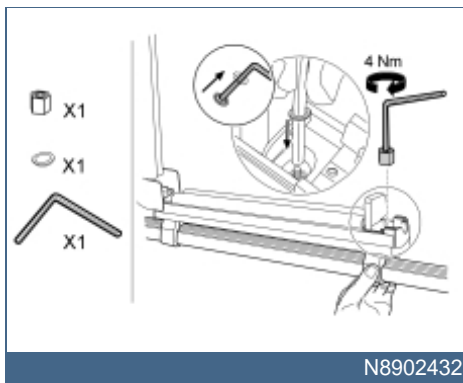


2



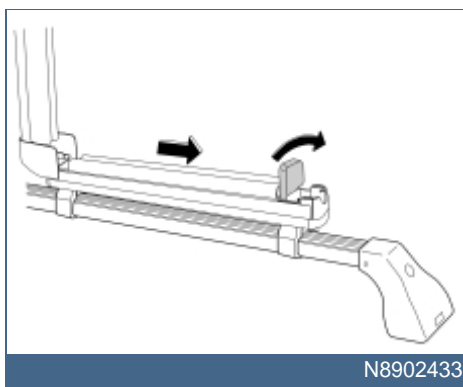
- Position the mountings 672 mm (26 7/16") apart. Install the ski holder on the screws
- Fold up the upper section of the ski holder
- Carry out the same procedure on the other ski holder.

3



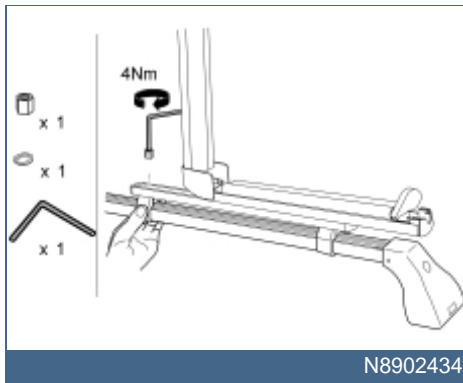
- Position a washer on the screw for the mounting.
- In order to facilitate positioning the washer on the screw: insert the washer on the hexagon spanner. Hold the spanner above the screw. Allow the washer to slide down onto the screw.
- Install the nut on the screw. Finger tighten.

4



- Fold down the locking tab. Slide the ski holder to the side to access the other mounting with the screw.

5



- Carry out in the same way as in point.
- Tighten both nuts. Tighten to **4 Nm (3 lbf.ft.)**
- Install the other ski holder in the same way.

6

Applies only to wing profile load carriers with T-grooves

- Cut the rubber strip so that it aligns in the groove on the load carrier. The moulding must cover **the entire** groove on the load carrier and must be sealed

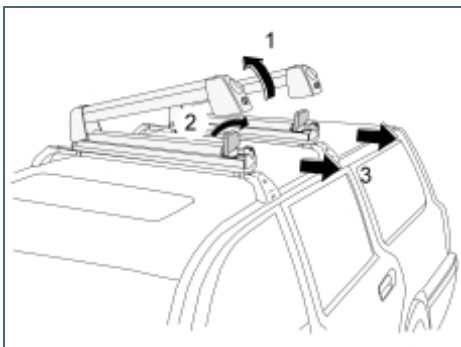


around the ski holder mountings.

Caution!

If this is not carried out correctly a whistling sound will be heard whilst driving with the ski holders installed.

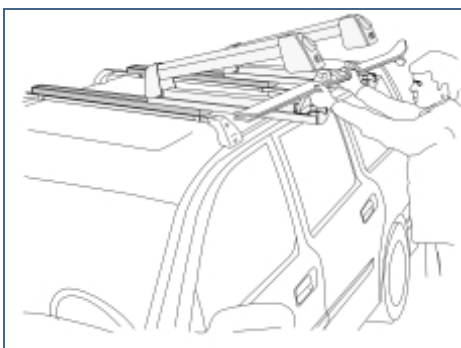
7



N8902435

- Fold up the upper section of the ski holders
- Fold down the locking tab. Slide the ski holders to the side to facilitate installing the skis.

8



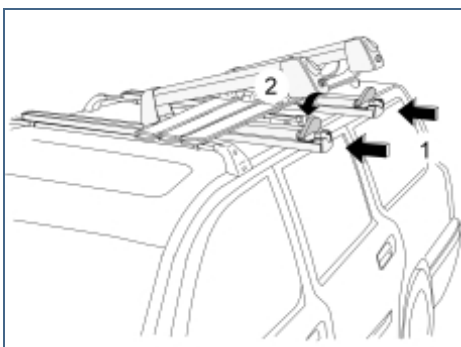
N8902437

- Position the skis with the points of the ski's facing backwards on the lower section of the ski holders.

Note!

Always transport the skis with the skis pointing backwards.

9

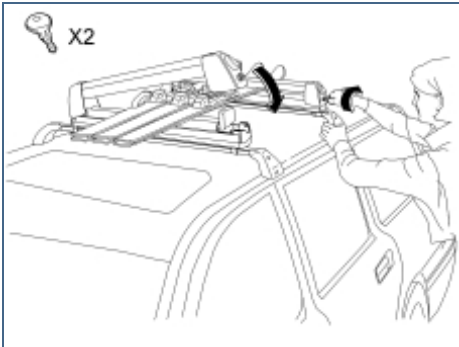


N8902438

- Slide the ski holders over the car roof. Fold up the locking tabs.



10



N8902439

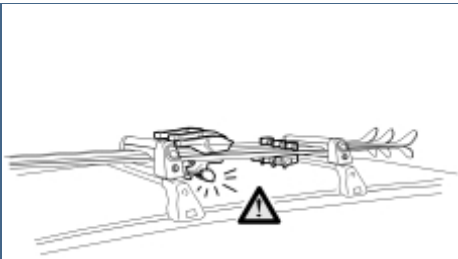
- Fold down the upper section of the ski holders. Lock using the key.

Note!

Always lock the ski holders when travelling.

- Check that the skis are properly secured.

11

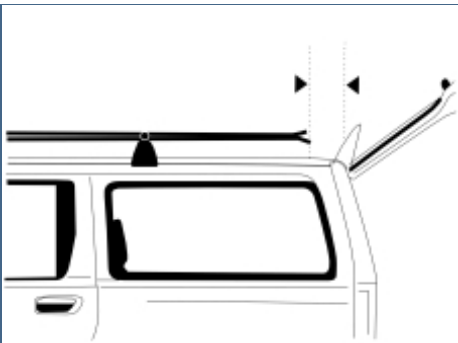


N8902440

Note!

Ensure that the ski bindings do not catch on the roof or the rails.

12



N8902442

- Check that the skis do not catch on the tailgate when the tailgate is opened.

13

Maintenance instructions

- Lubricate the lock on the ski holder regularly
- Clean away any road dirt so that the sliding mechanism on the ski holder is not hindered.