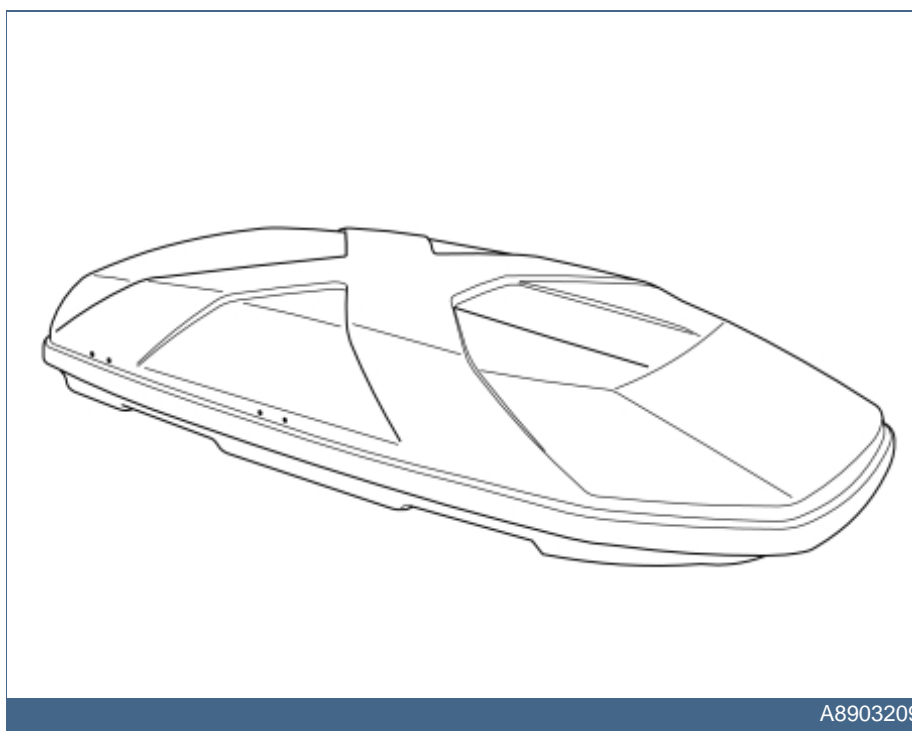




V70 XC (-00) / S80 (-06) / V70 XC (01-) / XC70 (-07) / S60 / V70 (00-08) / XC90 / S40 (04-) / V50	Section	Group	Weight (Kg/Pounds)	Year	Month
	8	89		2002	10

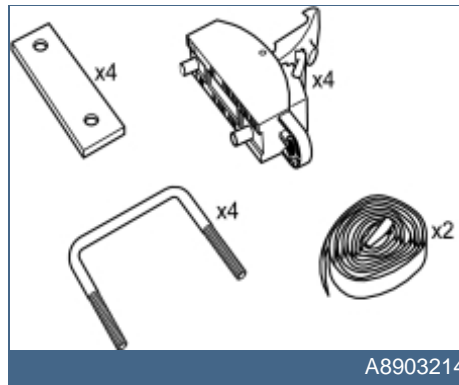
S40 (04-) 2004, S60 2001, S60 2002, S60 2003, S60 2004, S60 2005, S60 2006, S60 2007, S60 2008, S60 2009, S80 (-06) 1999, S80 (-06) 2000, S80 (-06) 2001, S80 (-06) 2002, S80 (-06) 2003, S80 (-06) 2004, S80 (-06) 2005, S80 (-06) 2006, V50 2004, V70 (00-08) 2000, V70 (00-08) 2001, V70 (00-08) 2002, V70 (00-08) 2003, V70 (00-08) 2004, V70 (00-08) 2005, V70 (00-08) 2006, V70 (00-08) 2007, V70 (00-08) 2008, V70 XC (-00) 1998, V70 XC (-00) 1999, V70 XC (-00) 2000, V70 XC (01-) / XC70 (-07) 2001, V70 XC (01-) / XC70 (-07) 2002, V70 XC (01-) / XC70 (-07) 2003, V70 XC (01-) / XC70 (-07) 2004, V70 XC (01-) / XC70 (-07) 2005, V70 XC (01-) / XC70 (-07) 2006, V70 XC (01-) / XC70 (-07) 2007, XC90 2003, XC90 2004, XC90 2005, XC90 2006, XC90 2007, XC90 2008, XC90 2009



A8903209



Required tools



A8903214

Any comments on this publication? Please contact your nearest dealer. Thank you!

Publication no: MA 8698518, Issue: 2002-10
Comments:.....
From:.....
Address:.....
Telephone no:.....
Telefax:.....



INTRODUCTION

- **NOTE! Read through the entire text before carrying out any work.**
- The front page gives the date of this edition and the edition it replaces
- The second page shows the tools needed for the installation and the contents of the installation kit
- The illustrations display the procedure in order of operation. The order of operation is repeated in the text section
- Cut out the text page in order to follow the illustrations and text at the same time.

Space box Xperience

Note!

This space box is not suitable for the V40 with rails.

Note!

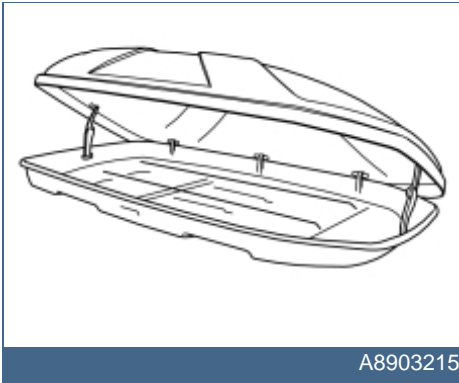
The space box may only be opened on one side at a time.

Note!

Regularly check that the load carriers are secured properly on the roof and that the space box is tightly secured on the load carriers. Be aware of the changed height and driving characteristics of the car with load carriers and box. Check that the box is properly locked and the key removed before travelling. The load must not exceed 75 kg and must always be secured. The total roof load capacity of the car must not be exceeded. See the owner's handbook. Highest permitted load = load carrier weight + box weight + load weight. For safety reasons the car must not be driven at top speed (maximum 130 km/h). Speeds should be adjusted to the load being carried and of course to legal speed limits. Note that there may be wind noise when the space box is installed. These installation instructions should be stored with the car handbook. Damage to the car and surroundings may occur if the instructions are not followed.



1

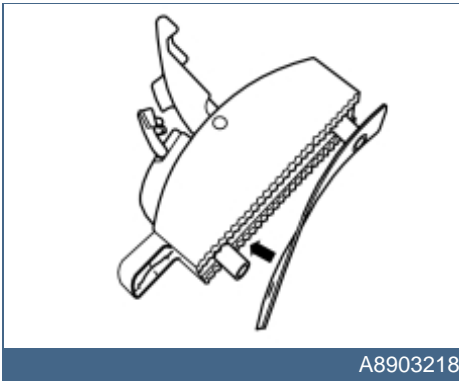


A8903215

Installing the space box

- Place the space box on the load carriers parallel to the car. Ensure that the box and load carriers do not prevent the tailgate from opening fully
- Open the space box on one side. Ensure that the other side is locked.

2

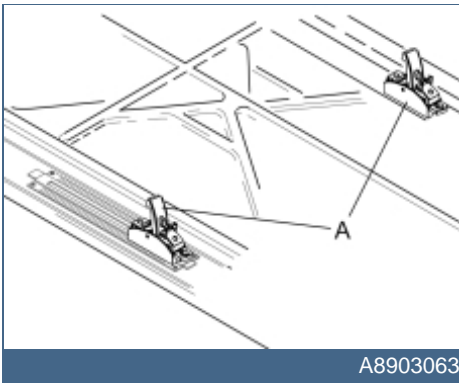


A8903218

Installing the space box

- Assemble a quick-release mounting and a rubber liner from the kit
- Do the same with all the quick-release mountings.

3

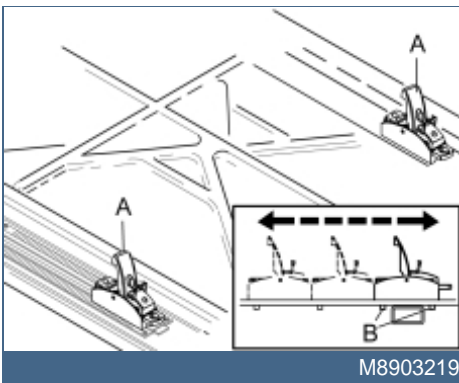


A8903063

Installing the space box

- Secure the quick-release mountings (A) in the bottom of the space box. Turn all the quick-release mountings in the same direction. Press them down properly.

4



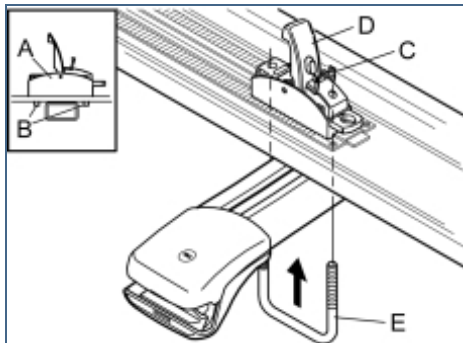
M8903219

Installing the space box

- Move the four quick-release mountings (A) in the bottom of the space box so that the two lugs (B) on each quick-release mounting are on each side of the load carrier tubes
- Check that the box is centred on the roof and does not come into contact with the tailgate when open.



5



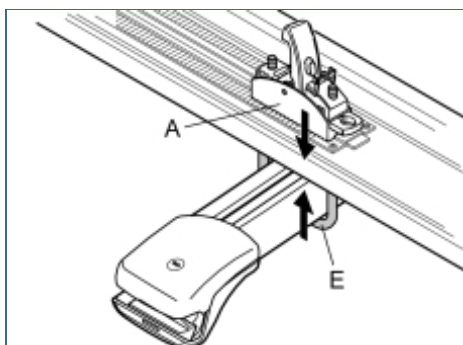
A8903220

Installing the space box

Points 5-7 apply to all the quick-release mountings

- Fold up the red safety catches (C)
- Fold the lock handle (D) to the vertical position
- Insert a U-bracket (E) upwards through the lugs (B) on the quick-release mounting (A).

6

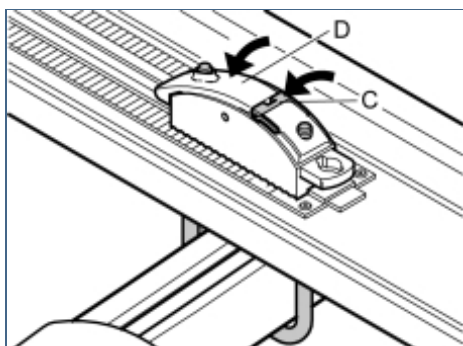


A8903222

Installing the space box

- Press the quick-release mounting (A) downwards towards the bottom of the space box. At the same time press the U-bracket (E) upwards until it is against the underneath of the load carrier.

7



A8903224

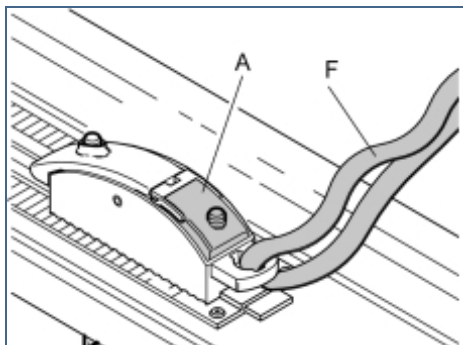
Installing the space box

- Fold the lock handle (D) down to the horizontal position. This requires a force of approximately 50 N. There should be considerable resistance. If this is not the case the U-bracket installation must be repeated
- Fold the safety catch (C) over the lock handle until it snaps into place. If this cannot be done, check that the lock handle has snapped shut in the final position.

Note!

Regularly check that the box is securely fixed to the load carrier.

8



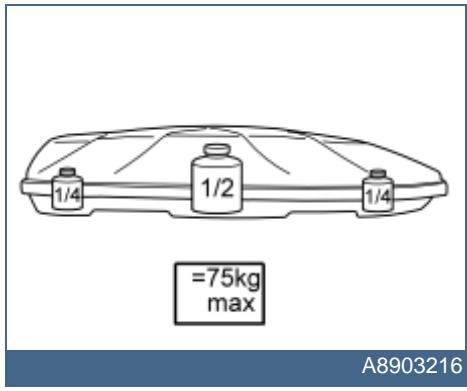
A8903230

Applies when transporting

- Thread the tensioning strap (F) through the holes on the quick-release mountings (A)
- Secure the goods using the tensioning strap.



9

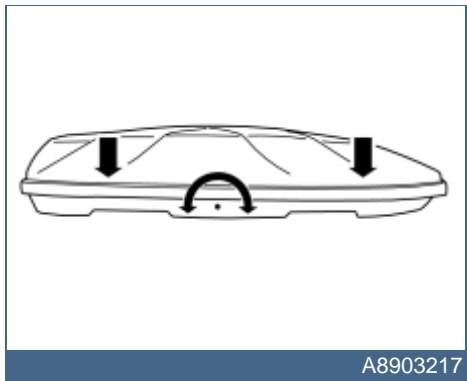


Applies when transporting

- The load must be distributed as evenly as possible. **The maximum permitted load is 75 kg.** The maximum roof load of the vehicle must never be exceeded. See the car and load carrier instructions for your car model
- Check that the tensioning straps are fully tightened regularly.

A8903216

10A



Opening and closing the space box

Opening the space box:

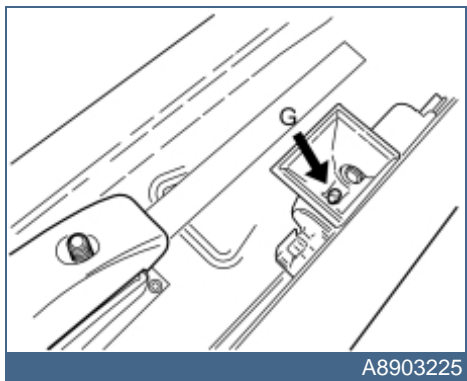
- The space box has a double sided locking system. This means that it may only be opened on one side at a time.
- Unlock the space box on one side. Ensure that the other side is locked
- Fold up the cover.

Closing the space box:

- The lock system has a safety system which prevents the space box from locking if the cover is not correctly closed. Ensure that each locking shackle engages in its lock when the space box is closed. The safety system releases when the lug (G) is pressed down.
- Press the cover down properly opposite the front and rear locks.
- Lock the space box. If the key cannot be turned, this may be because:
 - the cover is not properly pressed down. Press the cover and try locking again
 - there is snow or litter in the lock mechanism. Clean and try to lock it again.

A8903217

10B



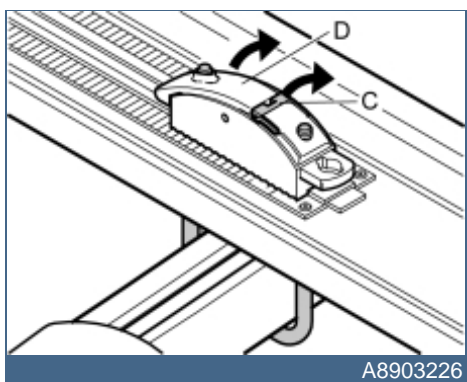
A8903225

11

Removing the space box

- Open the space box and remove the load.

12A



Removing the space box

Illustration A

- Fold up the safety catches (C)
- Fold the lock handle (D) to the vertical position.

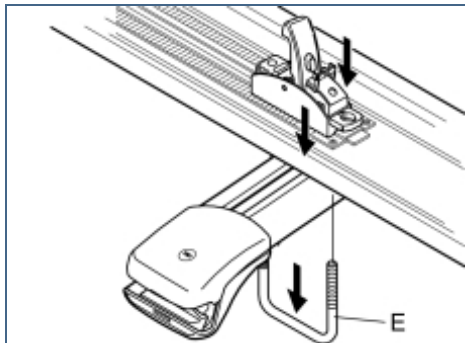
Illustration B

- Press the quick-release mountings down towards the bottom of the space box. At the same time pull out the U-bracket (E).

A8903226



12B



A8903228

Note!

Do not damage the roof.