

# Installation instructions, accessories - Space box, spacer

Volvo Car Corporation Göteborg, Sweden



## XC90 / V50

Section	Group	Weight(Kg/Pounds)	Year	Month
8	89		2003	08

V50 2004, XC90 2003, XC90 2004, XC90 2005, XC90 2006, XC90 2007, XC90 2008, XC90 2009, XC90 2010

Replaces issue: 2002 09



## Required tools

Any comments on this publication? Please contact your nearest dealer. Thank you!

Publication no: MA 9155213, Issue: 2003-08
Comments:..... ..... ..... ..... ..... ..... .....
From:.....
Address:.....
Telephone no:.....
Telefax:.....



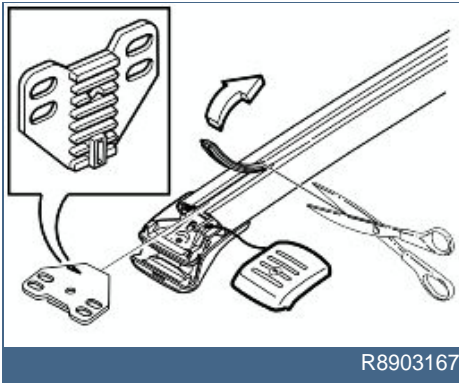
## INTRODUCTION

## Space box, spacer

- **NOTE! Read through the whole installation instruction before starting the work.**
- The front page gives the date of this edition and the edition it replaces
- The second page shows the tools needed for the installation and the contents of the installation kit
- The illustrations display the procedure in order of operation. The order of operation is repeated in the text section
- Cut out the text page in order to follow the illustrations and text at the same time.



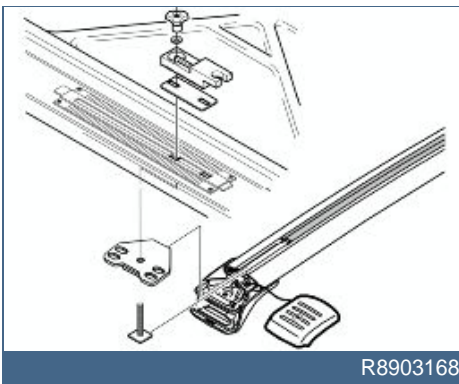
1



R8903167

- Cut off the rubber strip so that the spacer can be slid into the groove.

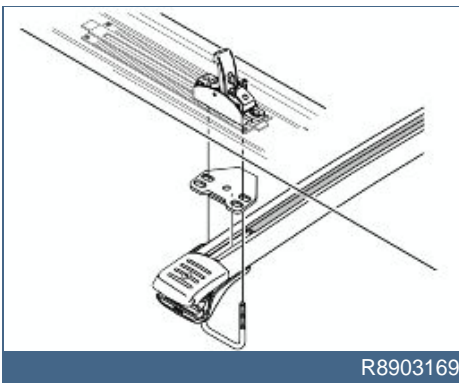
2



R8903168

## Mounting using a screw in the T-groove

3A



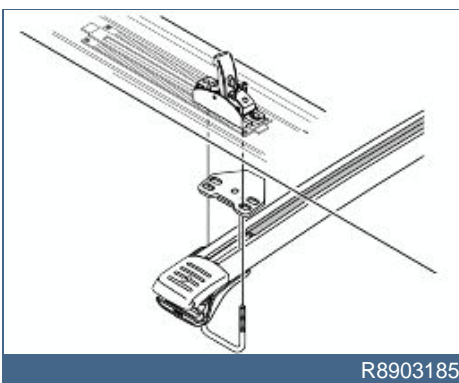
R8903169

## Mounting with a broad bracket

Illustration A applies to the Dynamic 85 space box

Illustration B applies to the Experience space box

3B



R8903185