

Installation instructions, accessories - Swan neck microphone

Volvo Car Corporation Göteborg, Sweden



S40 (-04) / V40 / V70 XC (01-) / XC70 (-07) / S80 (-06) / V70 (00-08) / XC90 / S60 / S40 (04-) / V50	Section	Group	Weight (Kg/Pounds)	Year	Month
	3	39		2004	04

S40 (-04) 2004, S40 (-04) 2004, S40 (04-) 2004, S40 (04-) 2004, S40 (04-) 2005, S40 (04-) 2005, S40 (04-) 2006, S40 (04-) 2006, S40 (04-) 2007, S40 (04-) 2008, S60 2004, S60 2004, S60 2005, S60 2005, S60 2006, S60 2006, S60 2007, S60 2008, S80 (-06) 2004, S80 (-06) 2004, S80 (-06) 2005, S80 (-06) 2005, S80 (-06) 2006, S80 (-06) 2006, S80 (-06) 2006, V40 2004, V40 2004, V50 2004, V50 2004, V50 2005, V50 2005, V50 2006, V50 2006, V50 2007, V50 2008, V70 (00-08) 2004, V70 (00-08) 2004, V70 (00-08) 2005, V70 (00-08) 2005, V70 (00-08) 2006, V70 (00-08) 2006, V70 (00-08) 2007, V70 (00-08) 2008, V70 XC (01-) / XC70 (-07) 2004, V70 XC (01-) / XC70 (-07) 2004, V70 XC (01-) / XC70 (-07) 2005, V70 XC (01-) / XC70 (-07) 2005, V70 XC (01-) / XC70 (-07) 2006, V70 XC (01-) / XC70 (-07) 2006, V70 XC (01-) / XC70 (-07) 2007, XC90 2004, XC90 2004, XC90 2005, XC90 2005, XC90 2006, XC90 2006, XC90 2007, XC90 2008



Required tools

Any comments on this publication? Please contact your nearest dealer. Thank you!

Publication no: MA30732382, Issue: 2004-04
Comments:.....
From:.....
Address:.....
Telephone no:.....
Telefax:.....



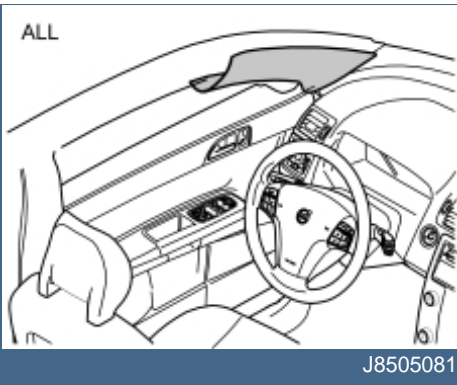
INTRODUCTION

Swan neck microphone

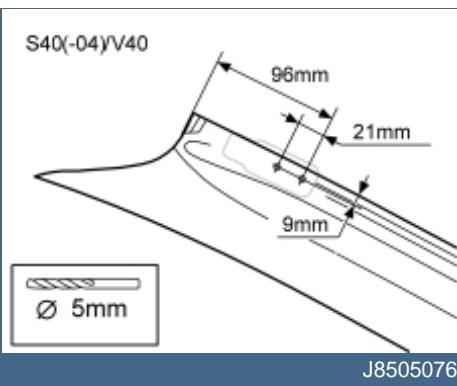
- **NOTE! Read through the entire text before carrying out any work.**
- The front page gives the date of this edition and the edition it replaces
- The second page shows the tools needed for the installation and the contents of the installation kit
- The illustrations display the procedure in order of operation. The order of operation is repeated in the text section
- Cut out the text page in order to follow the illustrations and text at the same time.



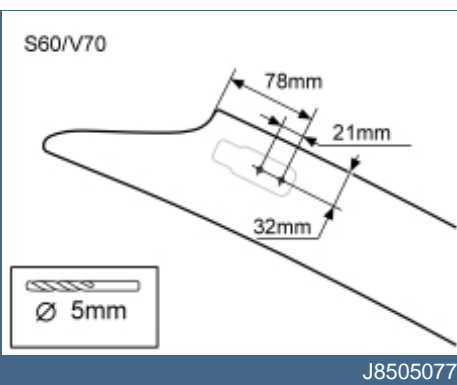
1



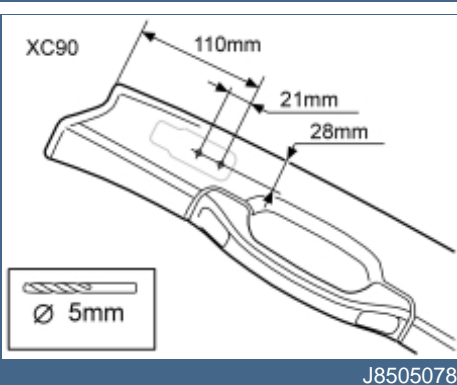
2



3

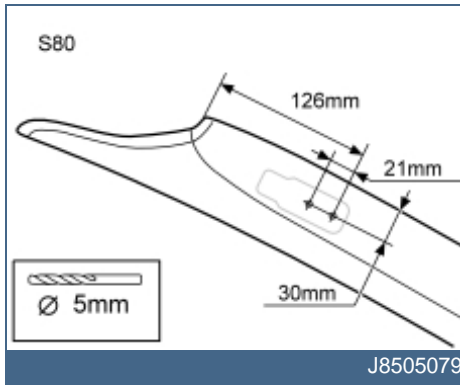


4

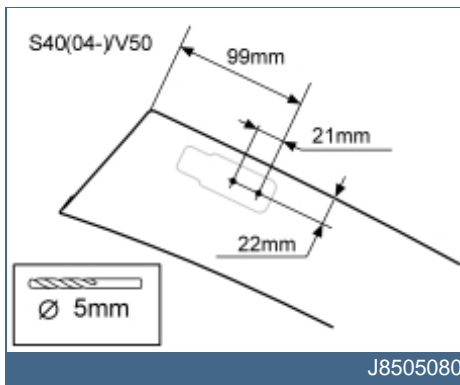




5



6



7

