

Installation instructions, accessories - T-groove kit, ski holder

Volvo Car Corporation Göteborg, Sweden



**S80 (-06) / S60 / XC90 / V70 (00-08) / S40 (04-
)/ V50**

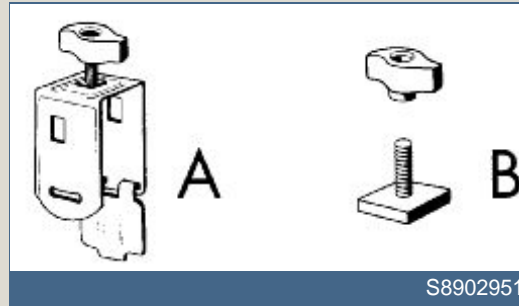
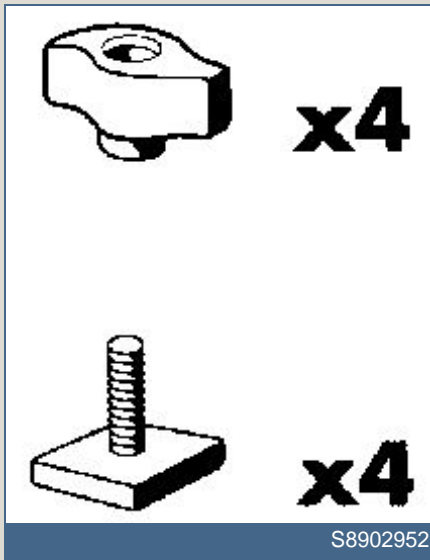
Section	Group	Weight (Kg/Pounds)	Year	Month
8	89		2003	08

S40 (04-) 2004, S40 (04-) 2005, S40 (04-) 2006, S40 (04-) 2007, S40 (04-) 2008, S40 (04-) 2009, S40 (04-) 2010, S60 2001, S60 2002, S60 2003, S60 2004, S80 (-06) 1999, S80 (-06) 2000, S80 (-06) 2001, S80 (-06) 2002, S80 (-06) 2003, V50 2004, V50 2005, V50 2006, V50 2007, V50 2008, V50 2009, V50 2010, V70 (00-08) 2000, V70 (00-08) 2001, V70 (00-08) 2002, V70 (00-08) 2003, XC90 2003, XC90 2004, XC90 2005, XC90 2006, XC90 2007, XC90 2008, XC90 2009, XC90 2010

Replaces
issue:
2002 01



Required tools



Any comments on this publication? Please contact your nearest dealer. Thank you!

Publication no: MA 9172686, Issue: 2003-08
Comments:.....
From:.....
Address:.....
Telephone no:.....
Telefax:.....



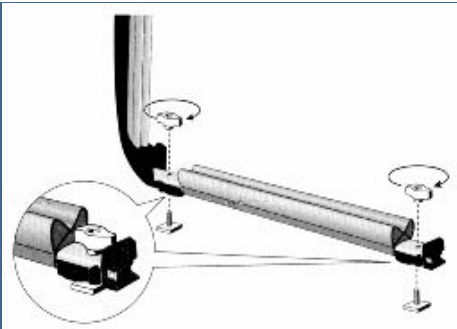
INTRODUCTION

T-groove kit, ski holder

- **NOTE! Read through the whole installation instruction before starting the work.**
- The front page gives the date of this edition and the edition it replaces
- The second page shows the tools needed for the installation and the contents of the installation kit
- The illustrations display the procedure in order of operation. The order of operation is repeated in the text section
- Cut out the text page in order to follow the illustrations and text at the same time.



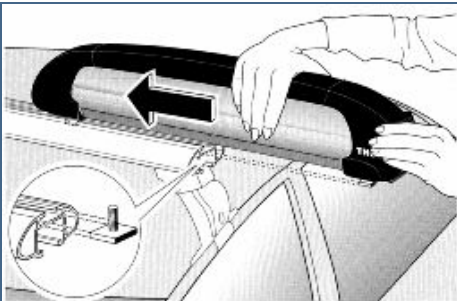
1A



S8902949

- Follow the instructions in the packaging for the ski holder, but replace metal bracket A with square screw B.

1B



S8902950