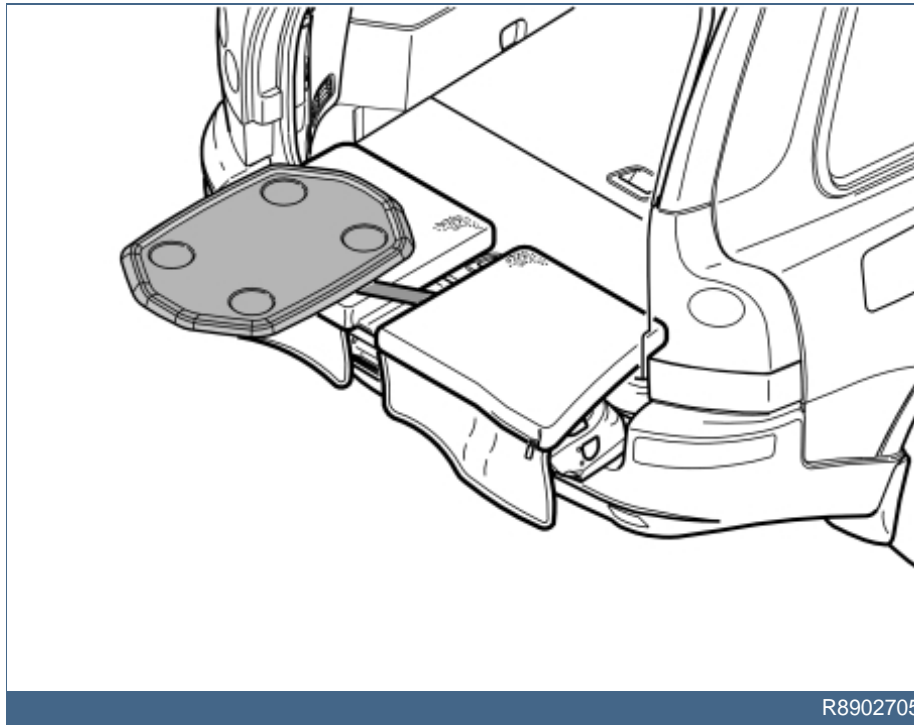


# XC90

Section	Group	Weight(Kg/Pounds)	Year	Month
8	88		2001	06

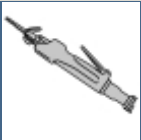
XC90 2003, XC90 2004, XC90 2005, XC90 2006, XC90 2007, XC90 2008



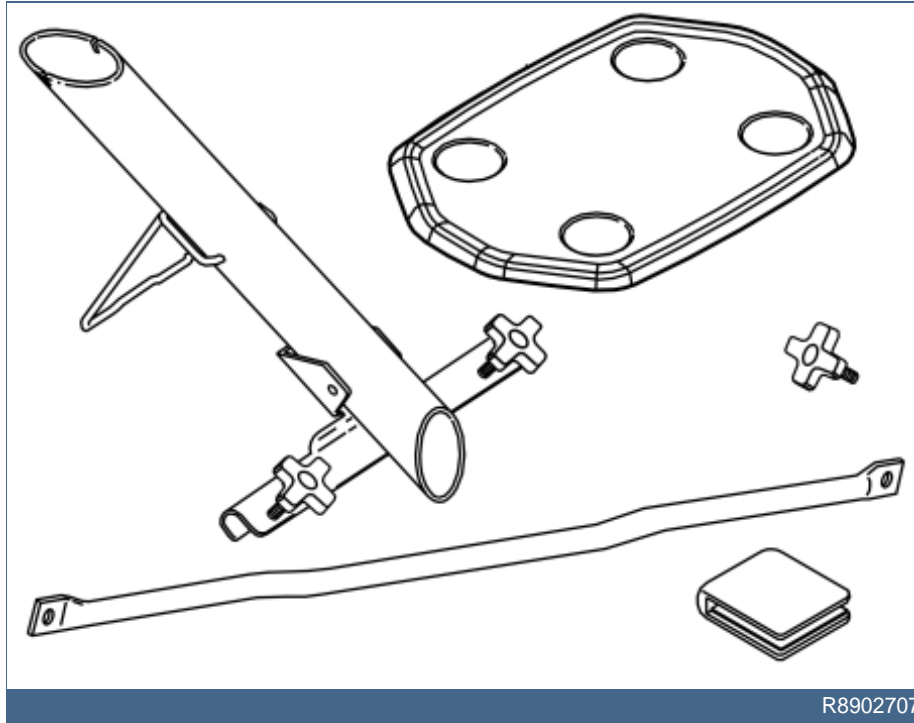
Required tools



A0000162



A0000165



Any comments on this publication? Please contact your nearest dealer. Thank you!

Publication no: MA 8641363, Issue: 2001-06

Comments:.....

.....

.....

.....

.....

.....

From:.....

Address:.....

Telephone no:.....

Telefax:.....

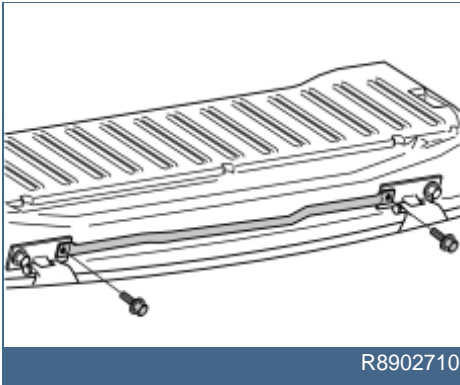


## INTRODUCTION

## Table in the cargo compartment opening

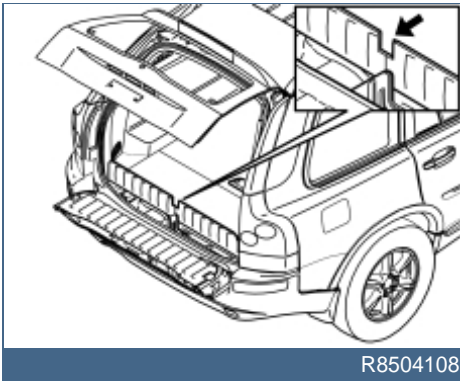
- **NOTE! Read through the entire text before carrying out any work.**
- The front page gives the date of this edition and the edition it replaces
- The second page shows the tools needed for the installation and the contents of the installation kit
- The illustrations display the procedure in order of operation. The order of operation is repeated in the text section
- Cut out the text page in order to follow the illustrations and text at the same time.

1



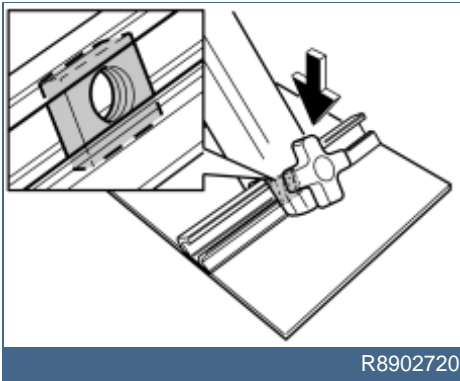
- Open the upper and lower tailgates
- Fold up and lock the floor extension in the upright position
- Remove the two inner screws in the hinge on the lower tailgate
- Install the mounting bracket (from the kit) between both hinges. Tighten the mounting bracket using the two screws. Tighten the screws. Tighten to **50 Nm (37 lbf. ft)**.

2



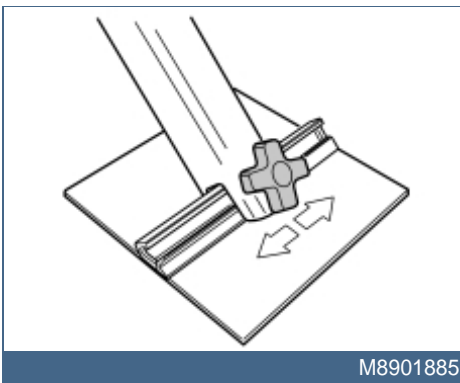
- Saw out the centre of the floor extension inside the inner marking on the underneath
- Even off the edges using a file
- Remove any swarf.

3



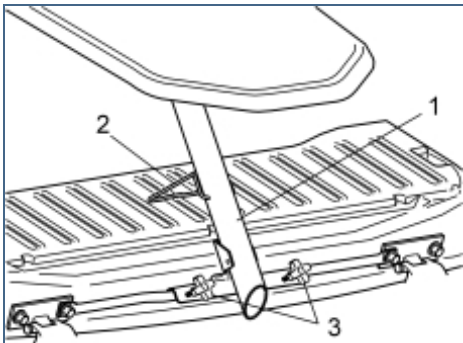
- Remove the table top from the kit. Turn the table top upside down
- Take the knob and table leg from the kit. Secure the table leg to the table top using the nut in the plate profile. See the illustration. Do not tighten the knob yet.

4



- Adjust the position of the table leg sideways as desired. Tighten the knob.

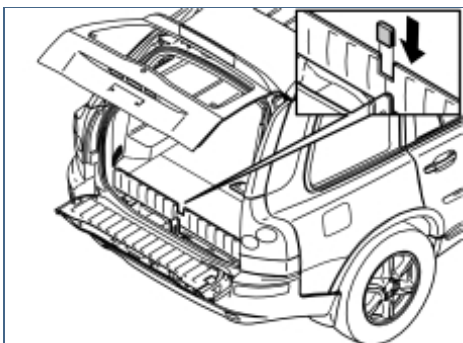
5



R8902708

- Ensure that both locking knobs (3) on the lower section of the table leg are unscrewed from the mounting as far as possible without the leg detaching
- Install the table on the mounting bracket, as illustrated (1). Fold out the support leg (2). Lower the table so that the support leg rests against the lower tailgate
- Lock the table using both locking knobs (3).

6

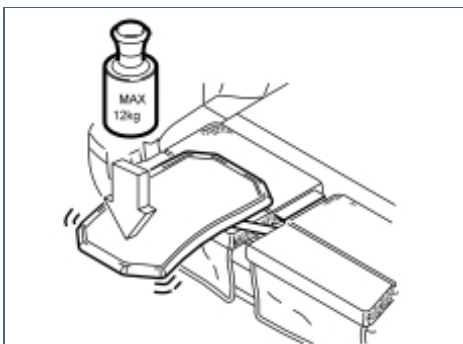


R8504109

**When the table is not being used**

- Press the panel (from the kit) over the hole in the floor extension.

7



M8901981

**Note!**

The maximum permitted load of the table is 12 kg.