



## XC90

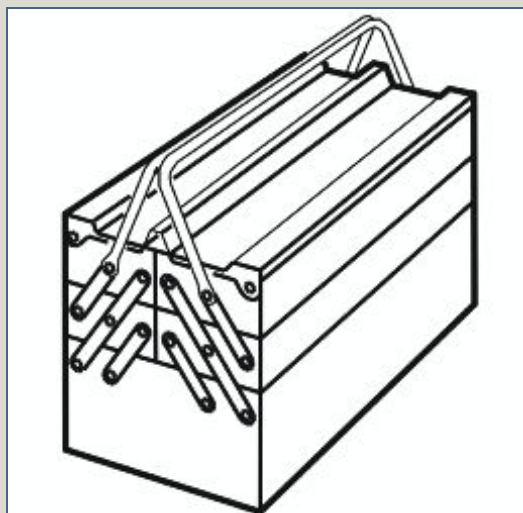
Section	Group	Weight(Kg/Pounds)	Year	Month
3	39		2001	05

XC90 2003, XC90 2004, XC90 2005, XC90 2006, XC90 2007, XC90 2008, XC90 2009, XC90 2010

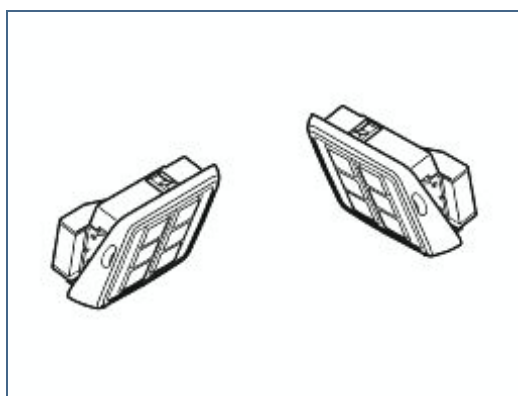




## Required tools



A0000162



R3903929



Any comments on this publication? Please contact your nearest dealer. Thank you!

Publication no: MA 9162299, Issue: 2001-05
Comments:..... ..... ..... ..... ..... ..... .....
From:.....
Address:.....
Telephone no:.....
Telefax:.....



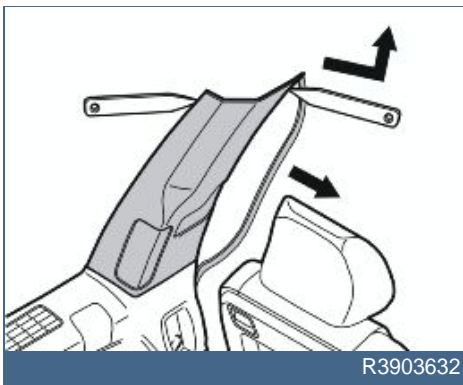
## INTRODUCTION

## Telephone speaker cut-out, C-post

- **NOTE! Read through the whole installation instruction before starting the work.**
- The front page gives the date of this edition and the edition it replaces
- The second page shows the tools needed for the installation and the contents of the installation kit
- The illustrations display the procedure in order of operation. The order of operation is repeated in the text section
- Cut out the text page in order to follow the illustrations and text at the same time.



1



R3903632

- Pull off the rubber strip at the rear edge of the door opening to the left-hand rear door opposite the left C-post panel
- Carefully pry off the left-hand C-post panel at the sides in the top edge using a plastic weatherstrip tool. Pull off until the three clips on the inside release. Do not damage the headlining or the panel
- Remove the panel by pulling upwards slightly and unhooking from the side panel.

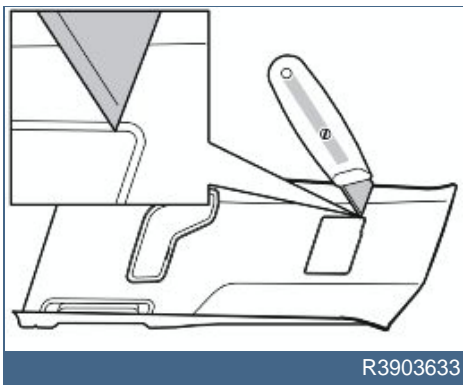
2



R8504221

- Fold the backrest of the second row of seats forwards. The backrest will then be used as a work surface
- Position the C-post panel with the front side facing down on, for example, a block of wood to cut out holes for the receiver
- To prevent scratching the panel place a blanket or similar over the block of wood
- Fold the foam rubber out of the way.

3



R3903633

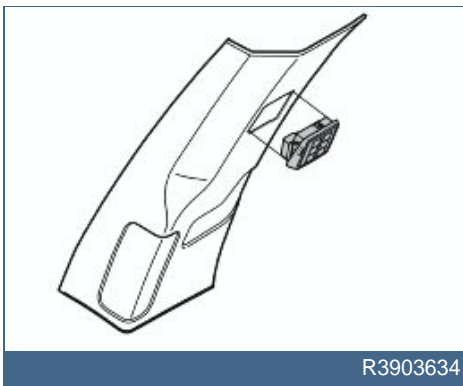
- Cut out a hole in the panel following the embossing on the inside. Use a utility knife or similar.

**Note!**

Do not make the hole too large. The edges of the telephone speaker are only 1 mm (1/32") larger than the dimensions of the cut-out.

- Test and adjust using a file until the telephone speaker is seated.

4

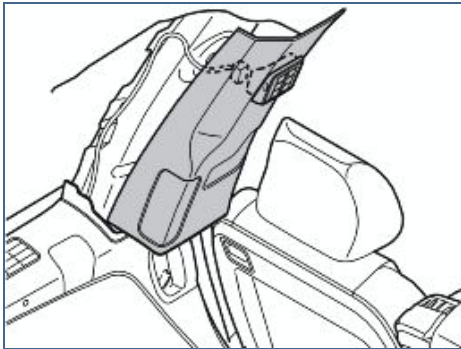


R3903634

- Press the telephone speaker into the hole on the C-post panel
- Fold the foam rubber back into place.



5



R3903635

- Disconnect the existing cable secured at the C-post
- Make a hole in the foam rubber. Thread the connector through to the receiver cut-out
- Connect the connector to the telephone speaker cut-out.

Connect the connector before pressing the telephone speaker into the hole on the C-post panel as there is limited space.

- Reinstall the C-post panel with the cut-out for the telephone speaker.