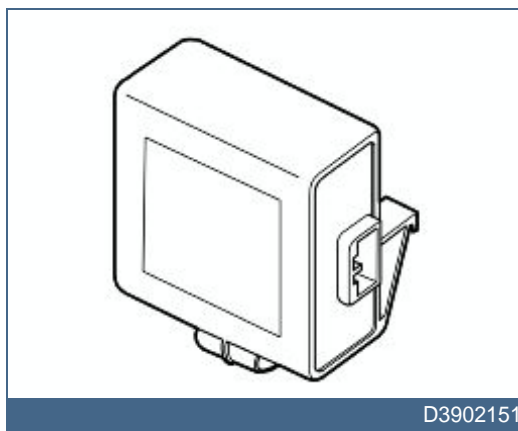




## XC90

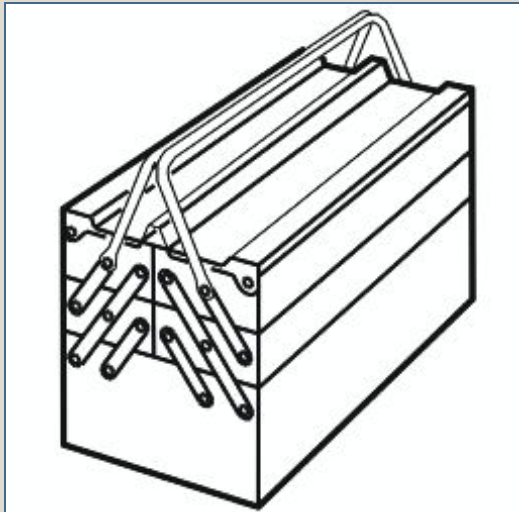
Section	Group	Weight(Kg/Pounds)	Year	Month
3	36		2001	05

XC90 2003, XC90 2004, XC90 2005, XC90 2006, XC90 2007, XC90 2008, XC90 2009, XC90 2010

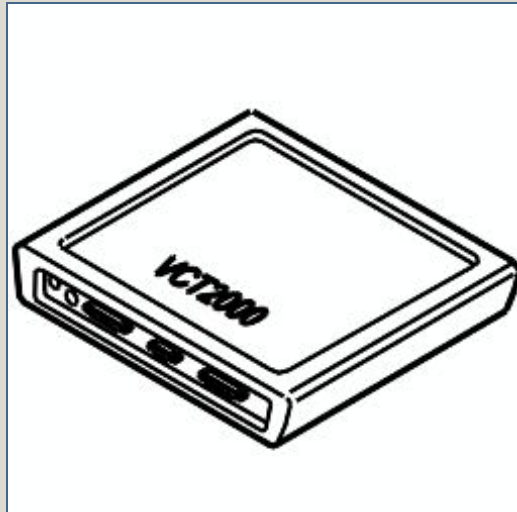




## Required tools



A0000162



A0801178

Any comments on this publication? Please contact your nearest dealer. Thank you!

Publication no: MA 8685531, Issue: 2001-05
Comments:..... ..... ..... ..... ..... ..... .....
From:.....
Address:.....
Telephone no:.....
Telefax:.....



## INTRODUCTION

- **NOTE! Read through the whole installation instruction before starting the work.**
- The front page gives the date of this edition and the edition it replaces
- The second page shows the tools needed for the installation and the contents of the installation kit
- The illustrations display the procedure in order of operation. The order of operation is repeated in the text section
- Cut out the text page in order to follow the illustrations and text at the same time.

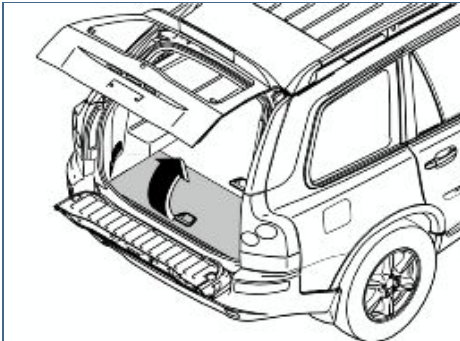
## Tilt sensor for the alarm

### Note!

This accessory requires software unique to the car.



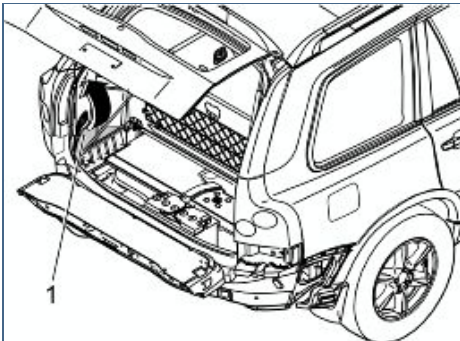
1



R8503999

- Fold the rear centre floor hatch up.

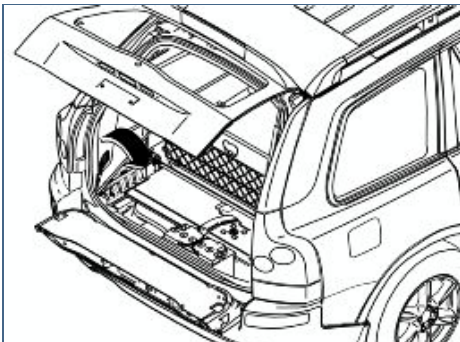
2



R8504000

- Remove the left-hand side floor hatch (1).

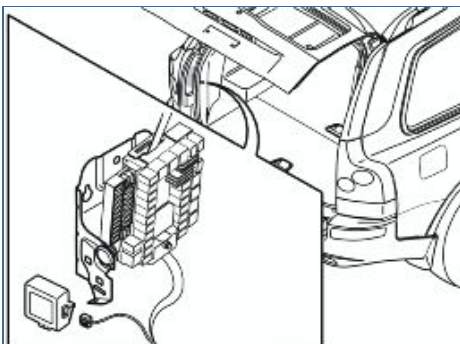
3



R8902766

- Remove the left-hand folding side panel.

4



R3903615

- Disconnect the pre-routed green connector, taped on the cable harness under the fuse holder
- Connect the connector to the tilt sensor
- Install the tilt sensor on the fuse holder bracket. First hook the tilt sensor in the uppermost hole on the bracket. Then secure in the lower hole
- Reinstall the side panel
- Reinstall the side floor hatch and fold down the floor hatch.

5

- Program the software according to the service information in VIDA.