



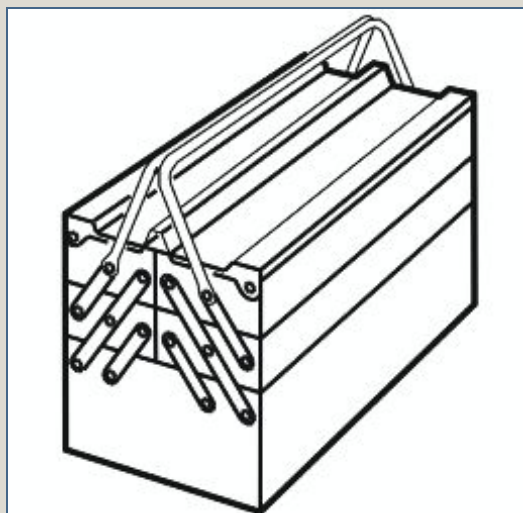
## XC90

Section	Group	Weight(Kg/Pounds)	Year	Month
3	39		2001	11

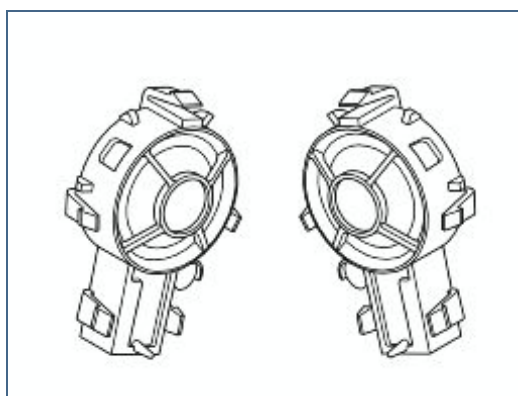
XC90 2003, XC90 2004, XC90 2005, XC90 2006, XC90 2007, XC90 2008, XC90 2009, XC90 2010



## Required tools



A0000162



R3903614



Any comments on this publication? Please contact your nearest dealer. Thank you!

Publication no: MA 9162276, Issue: 2001-11
Comments:..... ..... ..... ..... ..... ..... .....
From:.....
Address:.....
Telephone no:.....
Telefax:.....



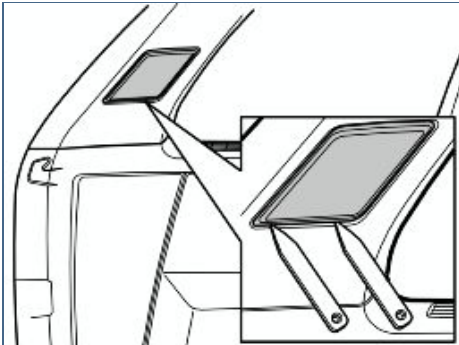
## INTRODUCTION

## Treble loudspeaker, D-post

- **NOTE! Read through the whole installation instruction before starting the work.**
- The front page gives the date of this edition and the edition it replaces
- The second page shows the tools needed for the installation and the contents of the installation kit
- The illustrations display the procedure in order of operation. The order of operation is repeated in the text section
- Cut out the text page in order to follow the illustrations and text at the same time.



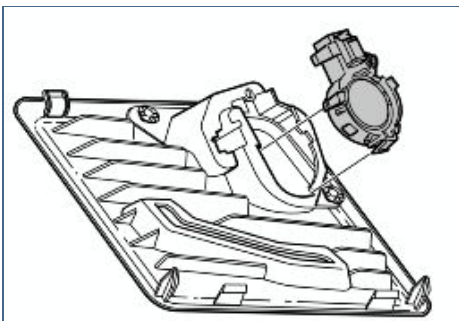
1



R8504048

- Remove the loudspeaker grille in the D-post (secured by two catches) by carefully prying loose at the rear edge using a weatherstrip tool.

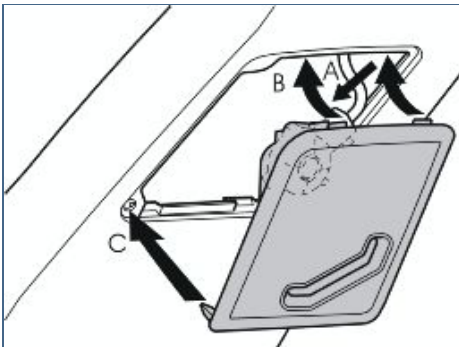
2



R8902560

- Install the treble loudspeaker (marked LH for the left and RH for the right) on the reverse of the loudspeaker grille. Press into position.

3



R3903642

- Connect the pre-routed cables to the treble loudspeaker. Reinstall the loudspeaker grille with the loudspeaker
- Repeat the operation on the other side.